

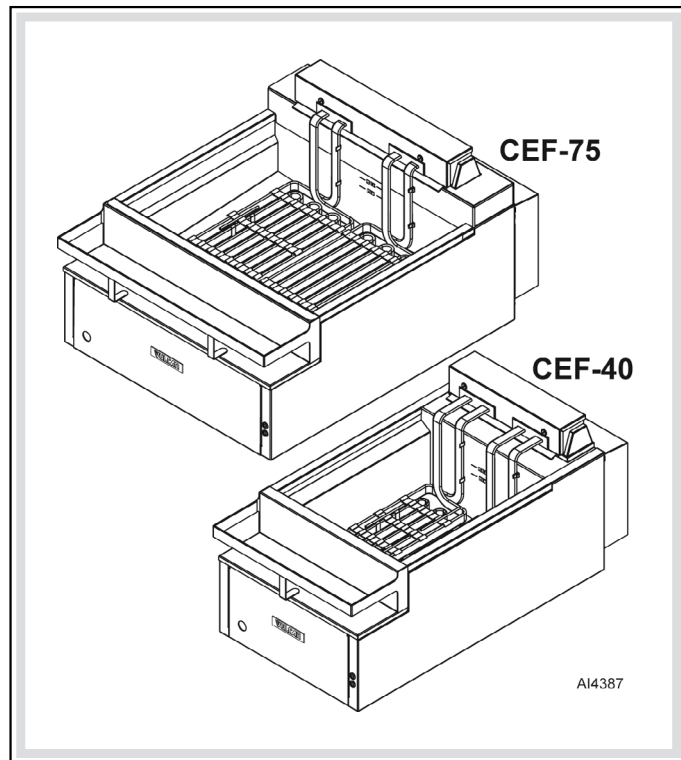
VULCAN

CATALOG OF REPLACEMENT PARTS

CEF SERIES COUNTERTOP FRYERS

MODELS

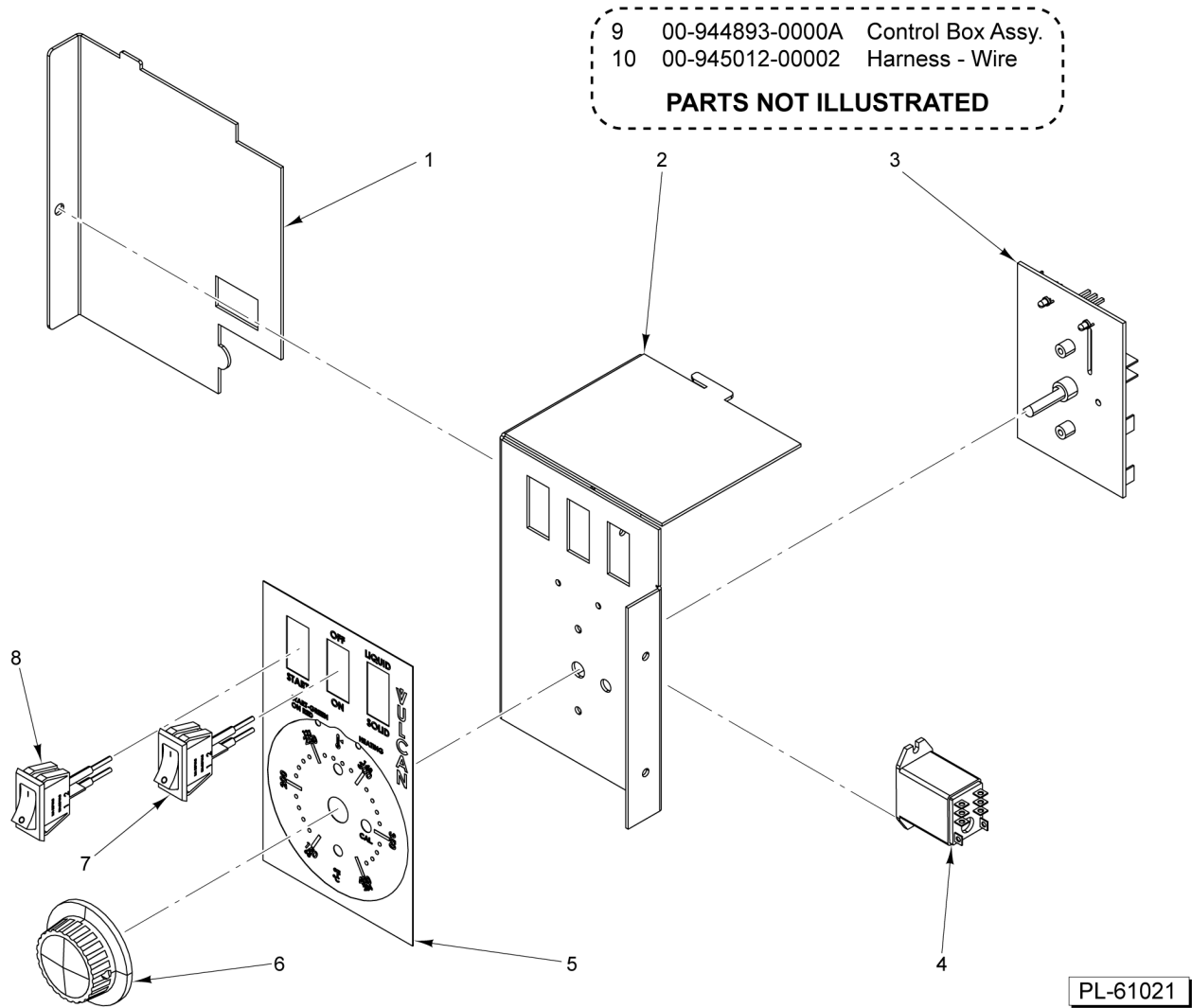
**CEF40
CEF75**



For additional information on Vulcan Equipment or to locate an authorized parts and service provider in your area, visit our website at www.vulcanequipment.com

Table of Contents

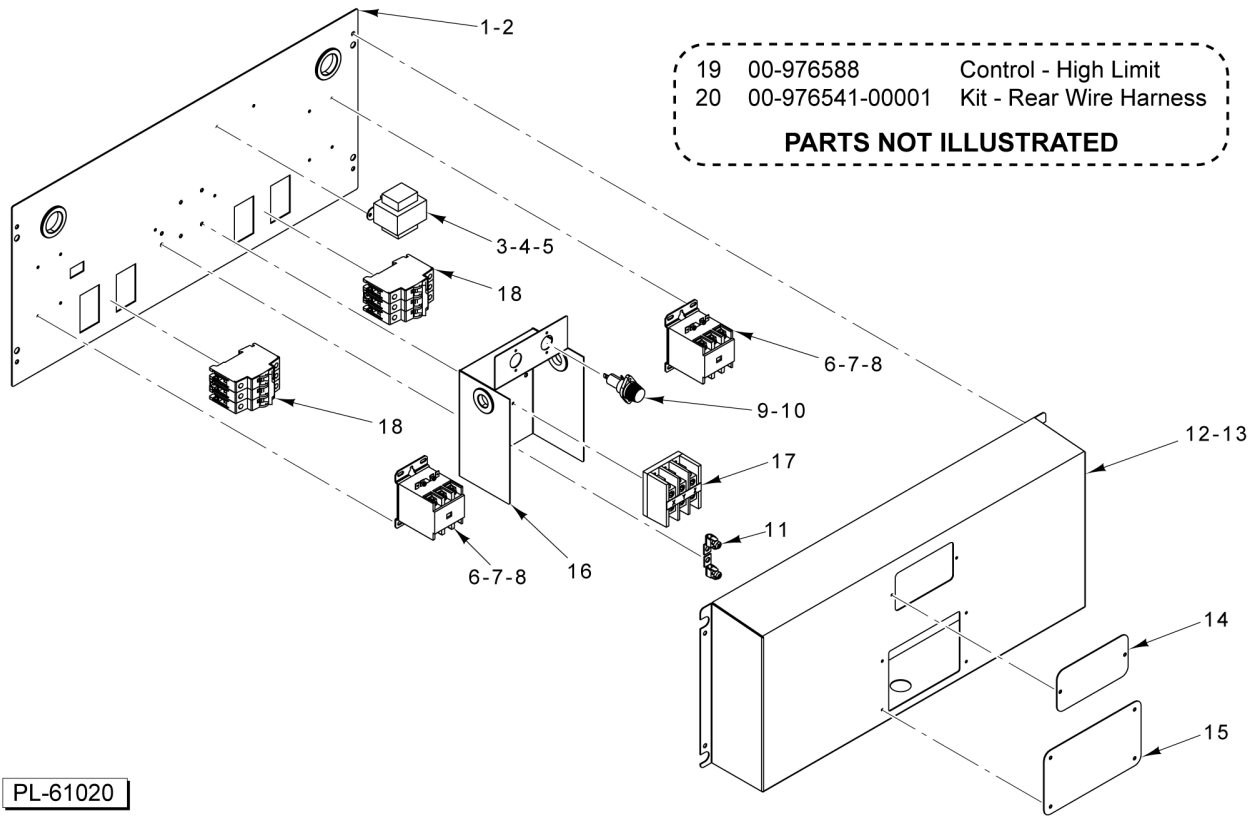
5	CONTROL PANEL
7	ELECTRICAL COMPONENTS
9	HEATING ELEMENTS (CEF40)
11	HEATING ELEMENTS (CEF75)
13	PANELS



CONTROL PANEL

CONTROL PANEL

ILLUS.	PART NO.	NAME OF PART	AMT.
1	00-944893-00002	Control Box - Back.....	1
2	00-944893-00001	Control Box - Front.....	1
3	00-428897-00009	Control Assy.....	1
4	00-416535-00004	Switch - Relay S.P.D.T. 24 V. Coil.....	1
5	00-944982-00001	Overlay - Control.....	1
6	00-411242-00001	Knob.....	1
7	00-427755-000G1	Rocker Switch Assy.....	2
8	00-427755-000G2	Rocker Switch Assy.....	1
9	00-944893-0000A	Control Box Assy. (CEF A) (Incls. Items 1 thru 8).....	1
10	00-945012-00002	Harness - Wire (Front to Back).....	1

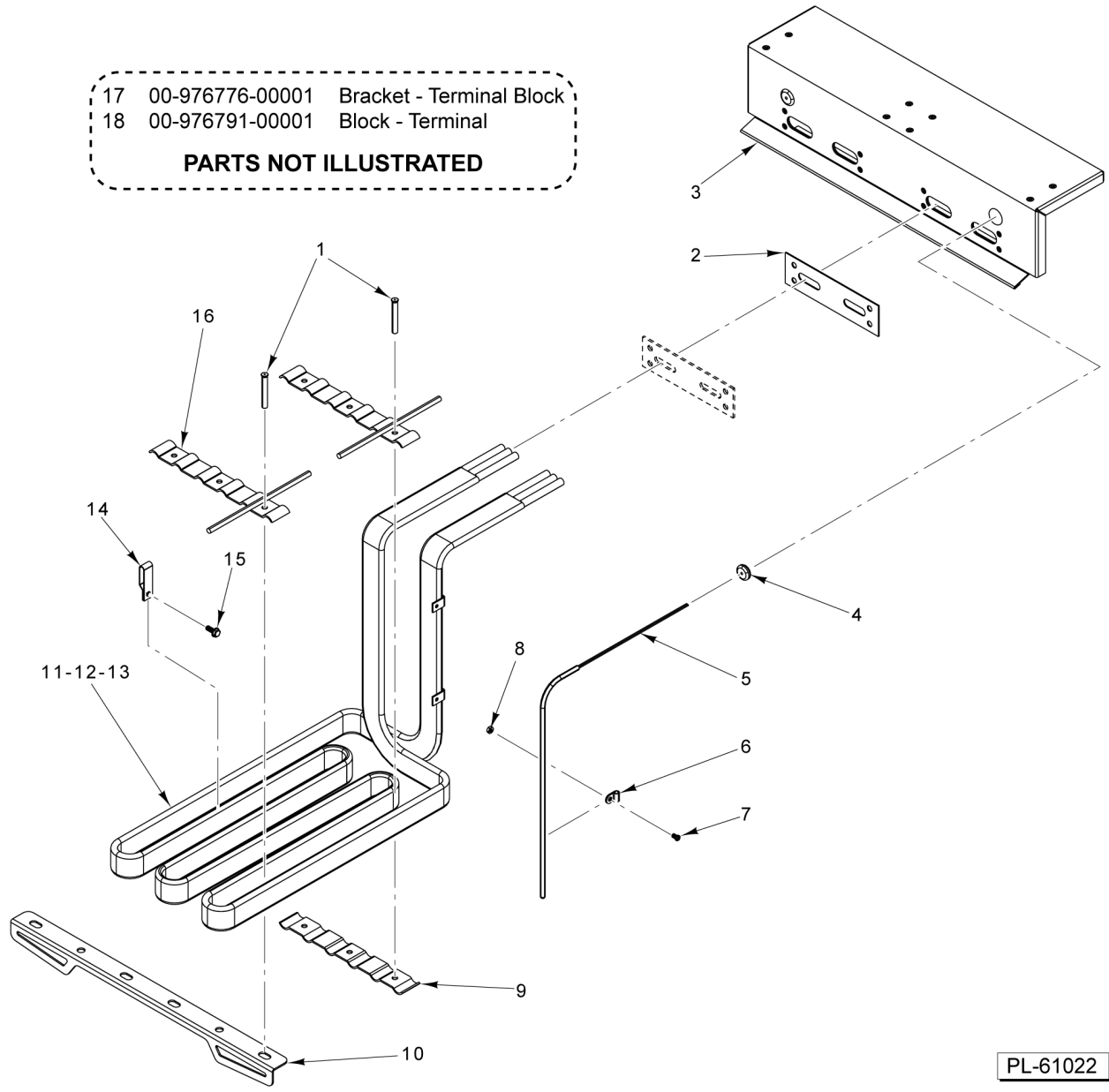


ELECTRICAL COMPONENTS

ELECTRICAL COMPONENTS

ILLUS.	PART NO.	NAME OF PART	AMT.
PL-61020			
1	00-944855-00018	Panel - Electrical (18 In.) (CEF40).....	1
2	00-944855-00027	Panel - Electrical (27 In.) (CEF75).....	1
3	00-411500-00013	Transformer (200-240 VAC, 24 V., 40 VA) (Before S/N 650200477).....	1
4	00-976721-00014	Transformer (208 VAC, 24V., 40VA) (Starting S/N 650200477).....	1
5	00-976721-00010	Transformer (240 VAC, 24 V., 40 VA) (Starting S/N 650200477).....	1
6	00-945037-00050	Contactora - 50 Amp. DEF (CEF40).....	2
7	00-945037-00063	Contactora - 63 Amp. DEF (CEF75).....	2
8	00-411497-000C6	Contactora (3-Pole) (50 Amp., 120 V.) (480 V. Units).....	1
9	00-960961-000G1	Holder - Fuse (15 Amp., 300 V.).....	2
10	FE-019-40	Fuse (15 Amp., 600 V.).....	2
11	00-417856-00001	Lug - Grounding (With Set Screw).....	2
12	00-944854-00018	Cover - Electrical Panel (18 In.) (CEF40).....	1
13	00-944854-00027	Cover - Electrical Panel (27 In.) (CEF75).....	1
14	00-944855-00005	Cover - Fuse.....	1
15	00-944855-00004	Cover - Junction Block.....	1
16	00-944855-00002	Mount - Junction Block.....	1
17	00-410472-00008	Block - Terminal (3-Pole).....	1
18	00-976610-00001	Breaker - Circuit (CEF75).....	6
19	00-976588	Control - High Limit (No Capillary Wire) (Starting S/N 650200477).....	1
20	00-976541-00001	Kit - Rear Wire Harness (Starting S/N 650200477).....	1

17 00-976776-00001 Bracket - Terminal Block
 18 00-976791-00001 Block - Terminal
PARTS NOT ILLUSTRATED

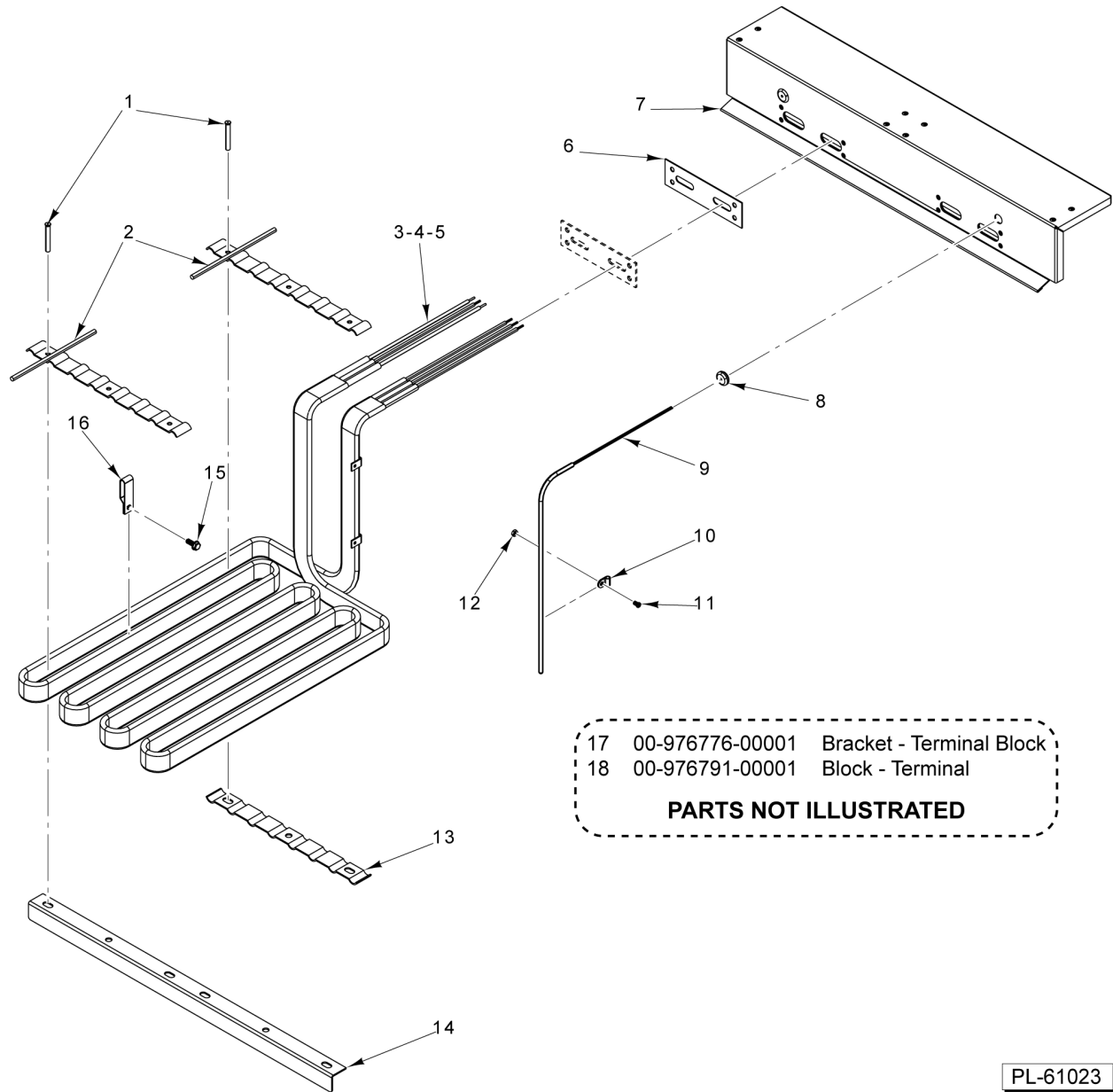


PL-61022

HEATING ELEMENTS (CEF40)

HEATING ELEMENTS (CEF40)

ILLUS.	PART NO.	NAME OF PART	AMT.
PL-61022			
1	SD-036-80	Self-Tapping Screw 8-32 x 3/8 Hex Washer Hd., Type TT.....	AR
2	00-416736-00001	Gasket - Element Flange.....	2
3	00-422322-000G1	Element Head Assy.....	1
4	00-410430-00001	Grommet - High Limit.....	2
5	00-422737-00002	Probe - Thermistor.....	1
6	00-419592-00001	Clip - Thermistor Probe.....	2
7	SC-060-23	Mach. Screw 4-40 x 1/4 Slotted Rd. Hd.....	2
8	NS-009-02	Nut 4-40 Hex.....	2
9	00-414177-00002	Clamp - Firebar.....	5
10	00-944985-00001	Clamp - Lower Firebar.....	1
11	00-416741-000G9	Element Assy. (208 V., 8500 kW).....	2
12	00-416741-00G11	Element Assy. (240 V., 8500 kW).....	2
13	00-416741-00G12	Element Assy. (480 V., 8500 kW).....	2
14	00-416782-00001	Bracket - Hi-Limit.....	2
15	SD-032-07	Self-Tapping Screw 10-24 x 1/2 Hex Washer Hd., Type TT.....	2
16	00-414178-000G2	Clamp - Top Element Assy.....	5
17	00-976776-00001	Bracket - Terminal Block (Starting S/N 650200477).....	1
18	00-976791-00001	Block - Terminal (Starting S/N 650200477).....	1



PL-61023

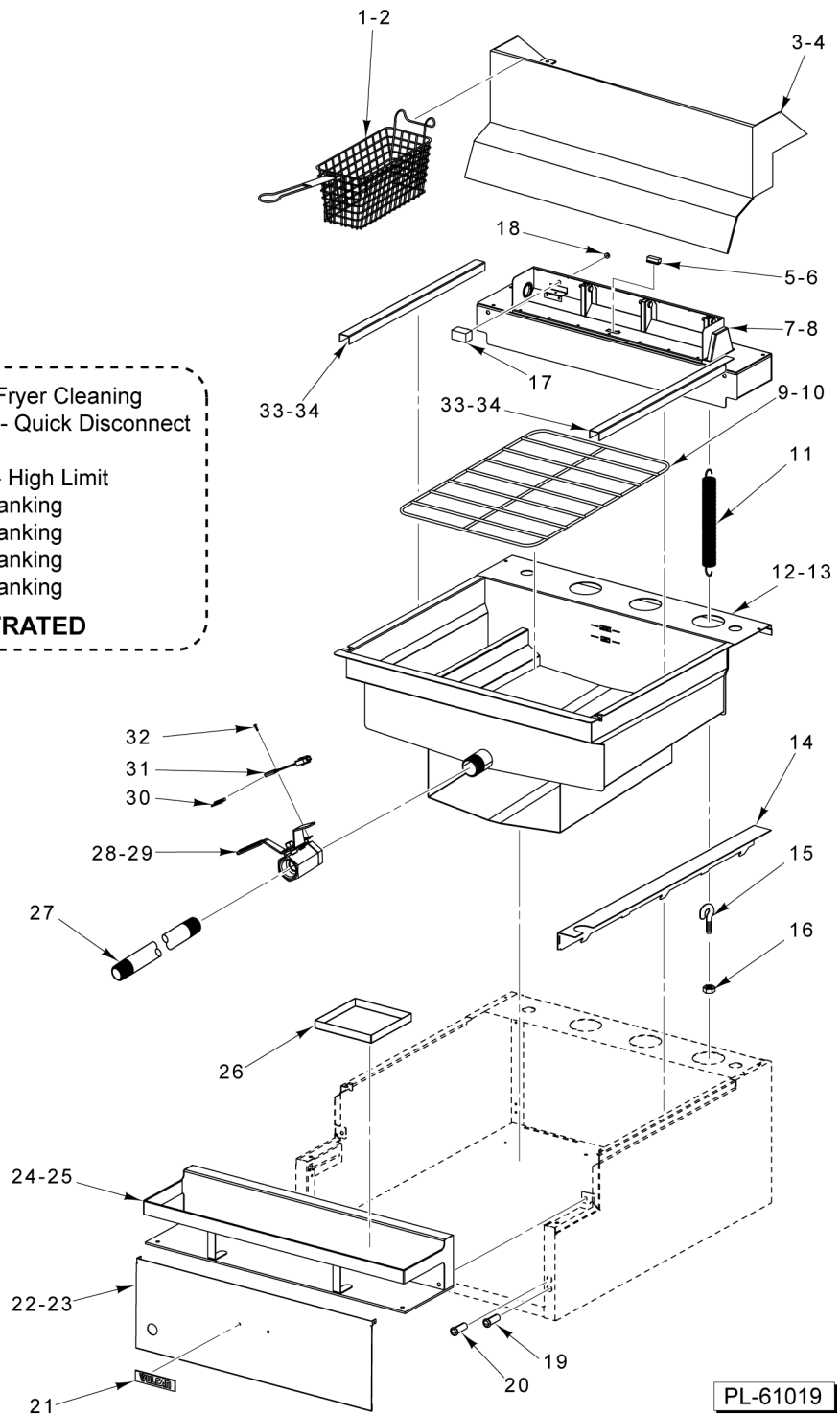
HEATING ELEMENTS (CEF75)

HEATING ELEMENTS (CEF75)

ILLUS. PL-61023	PART NO.	NAME OF PART	AMT.
1	SD-036-80	Self-Tapping Screw 8-32 x 3/8 Hex Washer Hd., Type TT.....	AR
2	00-422381-000G1	Clamp - Top Element Assy.....	5
3	00-421892-000G1	Element Assy. (208 V., 12000 W).....	2
4	00-421892-000G3	Element Assy. (240 V., 12000 W).....	2
5	00-421892-000G4	Element Assy. (480 V., 12000 W).....	2
6	00-416736-00001	Gasket - Element Flange.....	2
7	00-421829-000G1	Element Head Assy.....	1
8	00-410430-00001	Grommet - High Limit.....	2
9	00-422737-00001	Probe - Thermistor.....	1
10	00-419592-00001	Clip - Thermistor Probe.....	2
11	SC-060-23	Mach. Screw 4-40 x 1/4 Slotted Rd. Hd.....	2
12	NS-009-02	Nut 4-40 Hex.....	2
13	00-422380-00001	Clamp - Rear Lower Element.....	3
14	00-422414-00001	Clamp - Front Lower Element.....	1
15	SD-032-07	Self-Tapping Screw 10-24 x 1/2 Hex Washer Hd., Type TT.....	2
16	00-416782-00001	Bracket - Hi-Limit.....	2
17	00-976776-00001	Bracket - Terminal Block (Starting S/N 650200477).....	1
18	00-976791-00001	Block - Terminal (Starting S/N 650200477).....	1

35	00-421756-00001	Brush - Fryer Cleaning
36	00-944959-00003	Adapter - Quick Disconnect
37	00-944959-00005	O-Ring
38	00-976588	Control - High Limit
39	00-976550-00040	Strip - Banking
40	00-976550-00075	Strip - Banking
41	00-976550-04075	Strip - Banking
42	00-976550-07540	Strip - Banking

PARTS NOT ILLUSTRATED



PL-61019

PANELS

PANELS

ILLUS.	PART NO.	NAME OF PART	AMT.
PL-61019			
1	00-499223-00001	Basket - Twin (CEF40).....	1
2	00-499223-00004	Basket - Twin (CEF75).....	2
3	00-421912-000G1	Hanger - Single Basket (CEF40).....	1
4	00-944979-0000A	Hanger - Basket (CEF75).....	1
5	00-426801-00001	Switch - Wired.....	1
6	00-426801-00002	Magnet - Switch Element Head.....	1
7	00-416315-000G1	Wire Chase Assy. (CEF40).....	1
8	00-422415-000G1	Wire Chase Assy. (CEF75).....	1
9	00-427883-00002	Screen - Basket Support (CEF40).....	1
10	00-427883-00004	Screen - Basket Support (CEF75).....	1
11	00-406363-00001	Spring - Door (Long).....	AR
12	00-944790-0018A	Tank - Fryer (18 In.) (CEF40).....	1
13	00-944790-0027A	Tank - Fryer (27 In.) (CEF75).....	1
14	00-944894	Wireway.....	1
15	00-402570-00003	Eye Bolt.....	3
16	NS-047-69	Lock Nut 6-32 Hex.....	3
17	00-414146-00002	Thermostat Hi-Limit (Capillary Wire and Probe) (Before S/N 650200477).....	1
18	00-413927-00001	Grommet - Rubber.....	1
19	00-945008-0000Y	Indicator Light - Yellow LED.....	1
20	00-945008-0000G	Indicator Light - Green LED.....	1
21	00-957916-00003	Nameplate - Small (Vulcan).....	1
22	00-944956-0018A	Door - Fryer (18 In.) (CEF40).....	1
23	00-944956-0027A	Door - Fryer (27 In.) (CEF75).....	1
24	00-944955-0018A	Bullnose - Fryer (18 In.) (CEF40).....	1
25	00-944955-0027A	Bullnose - Fryer (27 In.) (CEF75).....	1
26	00-944897	Tray - Grease.....	1
27	00-976577-0000A	Drain Pipe Assy.....	1
28	00-913111	Valve Assy. (Incls. Items 30 & 31) (Before S/N 650200477).....	1
29	00-976656-00004	Valve Assy. (Incls. Items 30 & 31) (Starting S/N 650200477).....	1
30	00-426801-00002	Magnet - Switch Element Head.....	1
31	00-426805-G1	DVI switch-wired.....	1
32	SC-018-55	Mach. Screw 4-40 x 1/2 Phil. Pan Hd.....	4
33	00-944892	Trim (CEF40).....	1
34	00-976553	Trim (CEF75).....	1
35	00-421756-00001	Brush - Fryer Cleaning.....	1
36	00-944959-00003	Adapter - Quick Disconnect.....	1
37	00-944959-00005	O-Ring.....	1
38	00-976588	Control - High Limit (No Capillary Wire) (Starting S/N 650200477).....	AR
39	00-976550-00040	Strip - Banking (CEF40 to CEF40).....	AR
40	00-976550-00075	Strip - Banking (CEF75 to CEF75).....	AR
41	00-976550-04075	Strip - Banking (CEF40 On Left, CEF75 on Right).....	AR
42	00-976550-07540	Strip - Banking (CEF75 On Left, CEF40 on Right).....	AR

