



# CATALOG OF REPLACEMENT PARTS

## GL, GS, & GT-SERIES FULLY JACKETED GAS STEAM KETTLES

For Kettles Built Prior to 2011



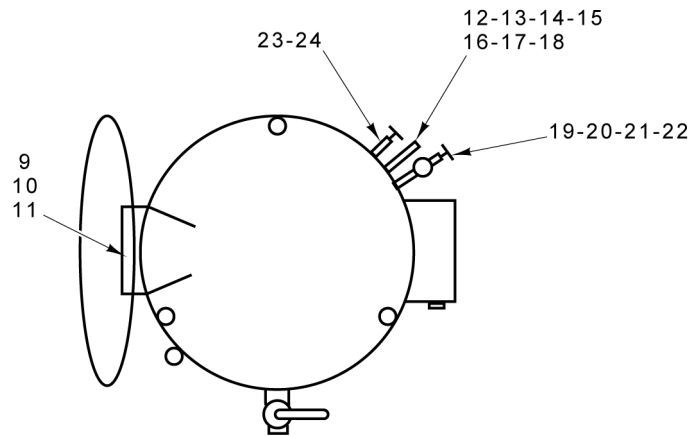
ML-52633  
ML-52634  
ML-52635  
ML-52637  
ML-52638  
ML-52639  
ML-52640  
ML-52660  
ML-152056

GS25E  
GS30E  
GL40E  
GL80E  
GT100E  
GT125E  
GT150E  
GS60E  
GS40ES



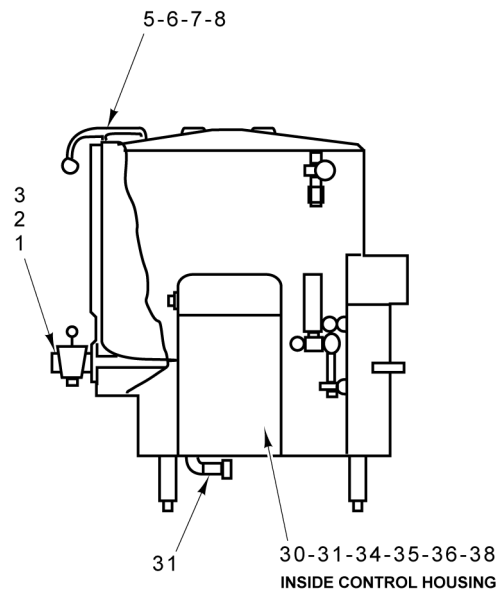
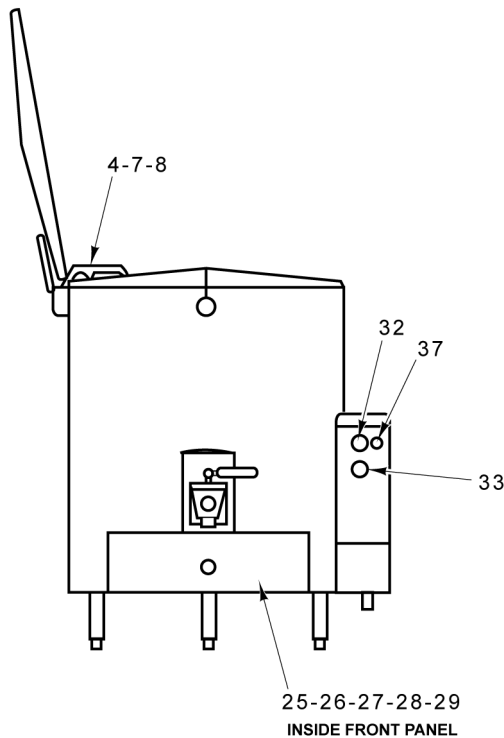
**Table of Contents**

5	REPLACEMENT PARTS
9	SPRING ASSIST COVER



39	00-833651	Rust Inhibitor
40	00-833652	Petro-Gel
41	00-833220-00011	Thermostat Dial
42	00-836813	Thermostat Dial
43	00-844130-00001	Ignitor Cable
44	00-833075	Burner Screen
45	00-832895	Inspection Cover
46	00-836799-00010	Valve Handle
47	00-851168	Valve Handle
48	00-843555	Valve Handle
49	00-842927	Strainer
50	00-842439	Strainer
51	FP-028-14	Drain Plug
52	00-831912-00011	Gasket
53	00-832948-00001	Control Box Door
54	RP-002-35	Roll Pin
55	00-858628-00001	Draw-Off Valve 2 In.
56	00-857919-00001	Stem Plunger Assy. (3 In.)
57	00-857918-00001	Plunger - Stem
58	00-857976-00001	Tangent Valve Body 2 In.
59	00-856569-00001	Draw-Off Valve Assy. (2 In.)
60	00-854427	Overlay - Control Panel
61	00-834020	Support - Burner
62	00-832907	Chamber

**PARTS NOT ILLUSTRATED**



PL-65091

**REPLACEMENT PARTS**

## REPLACEMENT PARTS

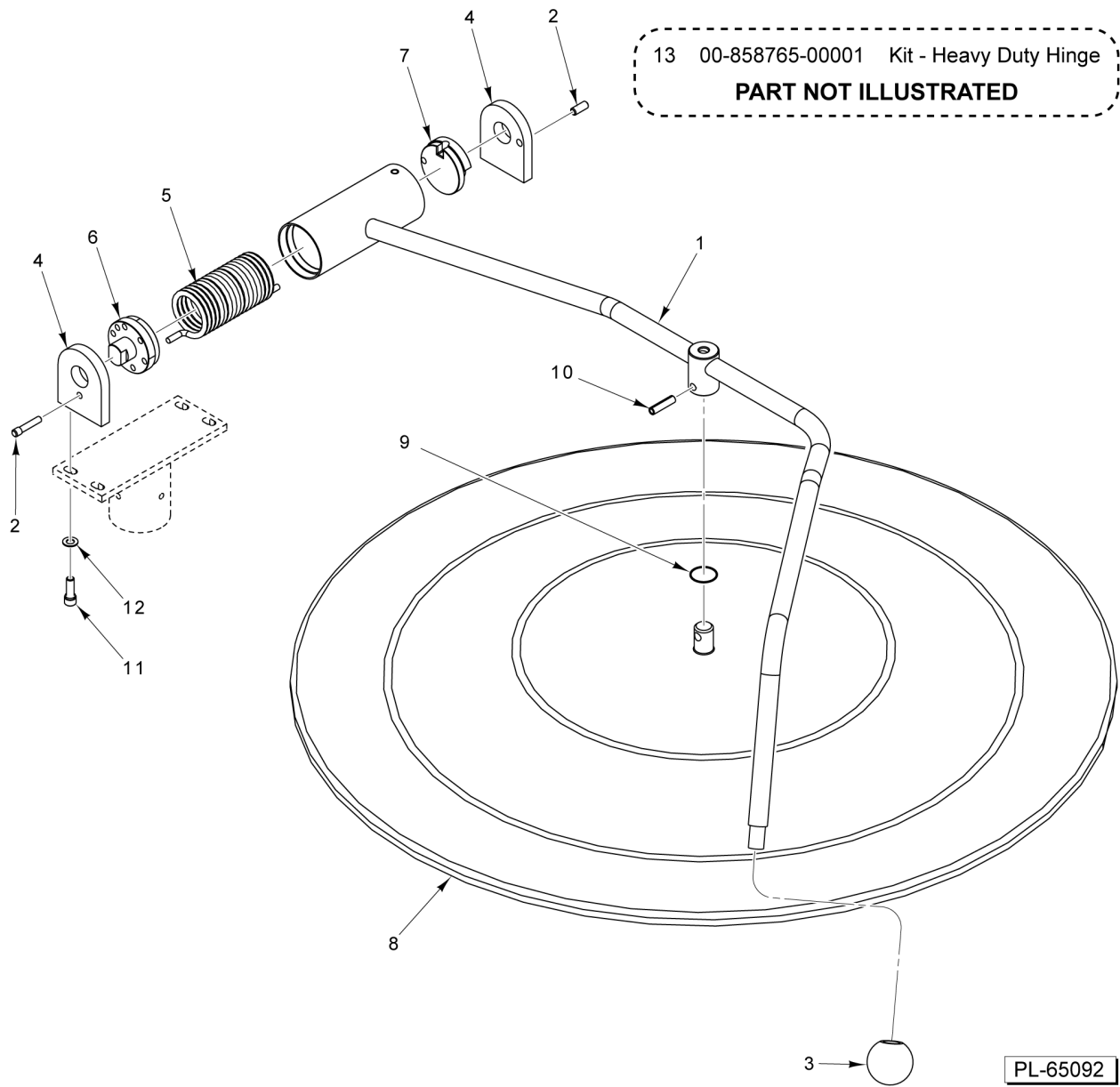
ILLUS.	PART NO.	NAME OF PART	AMT.
PL-65091			
1	00-857445-00001	Plug Valve Kit Assy., 2 In. D.O.....	1
2	00-831700	Gasket for 1 1/2" Faucet (Old 2 Bolt Draw-Off).....	1
	00-833394	Gasket for 2" or 3" Faucet.....	1
3	SC-119-36	Screw, 1/2-20 x1 1/4 (1 1/2" Faucet).....	2
	SC-119-36	Screw, 1/2-20 x1 1/4 (2" Faucet).....	2
	SC-119-36	Screw, 1/2-20 x1 1/4 (3" Faucet).....	4
*4	00-817615	Cover Hinge, Left (Standard Cover).....	1
	00-910081	Cover - Hinge, Right (Standard Cover).....	1
**5	00-840551	Cover Handle (Standard Cover).....	1
	00-853278-00001	Cover Handle (29") (Spring Assist Cover).....	1
	00-853279-00001	Cover Handle (36") (Spring Assist Cover).....	1
6	00-817564	Cover Handle Ball (Standard Cover).....	1
	00-853285-00001	Cover Handle Ball (Spring Assist Cover).....	1
7	NS-025-04	Nut, Handle & Hinge to Cover - 1/4-20 S.S. Acorn (Standard Cover).....	7
8	NS-047-86	Stop Nut 1/4-20 Hex (SST) (Use W/ Item 7).....	7
***9	00-817115-00003	Cover Hinge & Stop Rod - 29" O.D. Kettle (Standard Cover).....	2
	00-817115-00005	Cover Hinge & Stop Rod - 36 1/2 " O.D. Kettle (Standard Cover).....	2
10	NS-025-04	Hinge Rod Acorn Nut, 1/4 "-20 (Standard Cover).....	4
11	WL-006-17	Lockwasher 1/4 Helical (SST) (Use W/ Item 10).....	4
12	00-841496-00001	Pressure Relief Valve 1/2" (15#).....	1
	00-841496-00002	Pressure Relief Valve (10#).....	1
13	00-833239	Air Vent 3/4".....	1
14	00-833238	Vacuum Breaking Check Valve, 1/2".....	1
15	FP-083-92	Cross 3/4".....	1
16	FP-054-27	3/4" Close Nipple.....	1
17	FP-054-08	Pipe 1/2 x 1-1/8 TBE (SST) 1/2" Close Nipple.....	1
18	FP-084-16	3/4" x 1/2" Reducing Bushing.....	1
19	00-836082-00001	Fill Pipe Assy.....	1
20	00-833501	Fill Valve.....	1
21	00-833648	Check Valve.....	1
22	FP-054-08	1/2" Close Nipple.....	2
**23	00-833493-00011	Gauge Glass Only.....	1
	00-817098-00005	Washers for Gauge Glass.....	2
	00-833493	Gauge Glass Assy. (Complete).....	1
24	00-800665-00010	Burner Fitting (Nat. Gas) (#48 DMS) (25" Diameter Kettles).....	5
	00-800665-00010	Burner Fitting (Nat. Gas) (#48 DMS) (33" Diameter Kettles).....	8
	00-800665-00010	Burner Fitting (Nat. Gas) (#48 DMS) (36" Diameter Kettles).....	9
	00-800665-00025	Burner Fitting (Nat. Gas) (#49 DMS) (29" Diameter Kettles).....	5
**	00-800665-00015	Burner Fitting (Nat. Gas) (#50 DMS) (201/2" Diameter Kettles).....	4
	00-800665-00012	Burner Fitting (LP Gas) (#57 DMS) (All Diameter Kettles) (Qty: 4 to 9).....	AR
25	00-833076-00001	Main Burner Assy. (LP and Nat. Gas) (Qty: 4 to 9).....	AR
26	00-843554-00001	Pilot Burner (Nat. Gas) (Standing Pilot).....	1
**	00-817617	Pilot Burner (Pilot Body) (Electronic Ignition) (Prior to Nov., 1998).....	1
**	00-817617-00001	Pilot Orifice (Nat. Gas) (Electronic Ignition Only).....	1
**27	00-817617-00002	Pilot Orifice (LP Gas) (Electronic Ignition Only).....	1
	00-842997-00002	Pilot Burner (LP Gas) (Standing Pilot).....	1
**	00-817617	Pilot Burner (Pilot Body) (Electronic Ignition) (Prior to Nov., 1998).....	1
	00-819146	Pilot Orifice (Nat. Gas) (Electronic Ignition) (Prior to Nov., 1998).....	1
	00-819146-00001	Pilot Orifice (LP Gas) (Electronic Ignition) (Prior to Nov., 1998).....	1
	00-844129-00001	Pilot Assy. (Nat. Gas) (Electronic Ignition) (Nov., 1998 to 12/1/16 / SN 463022103).....	1
	00-856615-00001	Pilot - Burner (Electronic Ignition) (Nat. Gas) After 12/1/16 or serial number 463022103.....	1
	00-844129-00002	Pilot Assy. (LP Gas) (Electronic Ignition) (Nov., 1998 to 12/1/16 / SN 463022103).....	1
	00-856615-00002	Pilot - Burner (Electronic Ignition) (LP Gas) After 12/1/16 or serial number 463022103.....	1
	00-844398-00001	Pilot Orifice (LP Gas) (Electronic Ignition) (Nov., 1998 to Present).....	1
28	00-906955-00048	Thermocouple Only (Millivoltage Control).....	1

**REPLACEMENT PARTS**

ILLUS.	PART NO.	NAME OF PART	AMT.
	00-906955-00060	Thermocouple Only (Electric Control).....	1
**	00-821077	Flame Sensor (Electronic Ignition) (Prior to Nov., 1998).....	1
29	00-880030	Low Water Cut-off (Complete).....	1
	00-833197-00011	Low Water Cut-off (Switch Only) (Millivoltage Control).....	1
	00-880030	Low Water Cut-off (Complete).....	1
**	00-833196-00011	Low Water Cut-off (Switch Only) (Electric Control).....	1
30	00-833153-00010	Combination Control (Nat. Gas) (Millivoltage Control).....	1
**	00-833153-00011	Combination Control (LP Gas) (Millivoltage Control).....	1
**	00-880208	Combination Control (Nat. Gas) (Electric Control).....	1
	00-880209	Combination Control (LP Gas) (Electric Control).....	1
**	00-821080	Combination Control (Nat. Gas) (Electronic Ignition) (Prior to Nov., 1998).....	1
**	00-817362-00001	Combination Control (LP Gas) (Electronic Ignition) (Prior to Nov., 1998).....	11
	00-844133-00001	Combination Valve (Nat. Gas) (Electronic Ignition) ( Nov., 1998 to Present).....	AR
	00-844133-00002	Combination Valve (LP Gas) (Electronic Ignition) ( Nov., 1998 to Present).....	1
31	00-833133	Thermostat (Millivoltage Control).....	1
	00-833220	Thermostat (Electric Control).....	1
32	00-833152	Gauge - Pressure.....	1
**33	00-821078	Control - Ignition (Electronic Ignition) (Prior to Nov., 1998).....	1
34	00-857207-00003	Ignition Module (Honeywell) (Nov., 1998 to Oct., 2003).....	1
	00-858480-00001	Module - Ignition.....	1
	00-858481-00002	Adapter Wires - Ignition Module (Before S/N 463022103).....	1
35	00-854043-00001	Ignition Module (Oct., 2003 to Present).....	1
**	00-821076	Harness - Wiring (Electronic Ignition) (Prior to Nov., 1998).....	1
	00-858480-00001	Module - Ignition.....	1
	00-858481-00002	Adapter Wires - Ignition Module (Before S/N 463022103).....	1
36	00-411500-00012	Transformer (120 VAC, 24 V., 40 VA) (Electronic Ignition) (24V).....	1
37	00-821079	Switch, Lighted ON/OFF (Electronic Ignition) (Prior to Oct., 2003).....	1
	00-855002-00001	Power Switch W/Indicator Light (Oct., 2003 to Present).....	1
38	00-833488	Switch - Pressure Limit.....	1
39	00-833651	Rust Inhibitor (Six Ounce Bottle) (2 Ounces per Charge).....	1
40	00-833652	Petro-Gel (1 Tube).....	1
41	00-833220-00011	Thermostat Dial (Electronic Ignition).....	1
42	00-836813	Thermostat Dial (Millivolt Controls).....	1
43	00-844130-00001	Ignitor Cable (30") (Nov., 1998 to Present).....	1
44	00-833075	Burner Screen.....	1
45	00-832895	Inspection Hole Cover.....	11
**46	00-836799-00010	Black Draw Off Valve Handle.....	1
**47	00-851168	3" Draw Off Valve Handle.....	1
***48	00-843555	3" Chrome Draw Off Valve Handle.....	1
49		Strainer for 1 1/2" Draw Off Valve.....	1
50	00-842439	Strainer for 2" or 3" Draw Off Valve.....	1
51	FP-028-14	Drain Plug.....	1
52	00-831912-00011	Gasket (Between Kettle and Control Box).....	1
**53	00-832948-00001	Control Box Door.....	1
54	RP-002-35	Roll Pin 3/16 Dia. x 5/8 Lg. (SST).....	1
55	00-858628-00001	Draw-Off Valve 2 In.....	1
56	00-857919-00001	Stem Plunger Assy. (3 In.).....	1
57	00-857918-00001	Plunger - Stem.....	1
58	00-857976-00001	Tangent Valve Body 2 In.....	1
59	00-856569-00001	Draw-Off Valve Assy. (2 In.).....	1
60	00-854427	Overlay - Control Panel.....	1
61	00-834020	Support - Burner.....	1
62	00-832907	Chamber.....	1

\* Call for Price and Availability  
 \*\* No Longer Available  
 \*\*\* Available through Vintage Parts, Beaver Dam, WI Phone: 1-877-846-8243 Fax: 1-800-368-8822 Website: [Http://www.VpartsInc.com](http://www.VpartsInc.com)

## NOTES



**SPRING ASSIST COVER**



**SPRING ASSIST COVER**

ILLUS.	PART NO.	NAME OF PART	AMT.
PL-65092			
1	00-853279-00001	Cover Handle (36") (Spring Assist Cover) (60, 80, 100, 125, 150 Gallon Kettles).....	1
	00-853278-00001	Cover Handle (29") (Spring Assist Cover) (25, 30, 40 Gallon Kettles).....	1
2	00-853284-00001	Pin - Lock.....	1
3	00-853285-00001	Knob - Press On.....	1
4	00-858765-00001	Kit - Heavy Duty Hinge.....	1
5	00-853289-00001	Spring - Torsion.....	1
6	00-853292-00001	Disc - Tension Adjustment.....	1
7	00-853293-00001	Disc - Rotary Stop.....	1
8	00-853281-00001	Cover w/ Condesate Ring.....	1
9	OR-001-07	"O" Ring (Per Standard 016).....	1
10	RP-004-31	Roll Pin 1/4 x 1.....	1
11	SC-110-98	Cap Screw 1/4-20 x 3/4 Hex Socket Hd. (SST).....	4
12	WL-006-17	Lockwasher 1/4 Helical (SST).....	4
13	00-858765-00001	Kit - Heavy Duty Hinge.....	AR

