

## RESTAURANT RANGES

**VULCAN****48" ELECTRIC RESTAURANT RANGE  
8 FRENCH PLATES**

**Model EV48S-8FP208**  
shown with adjustable legs

**SPECIFICATIONS**

48" wide electric restaurant range, Vulcan Model No. EV48S-8FP208. Fully MIG welded aluminized steel frame for added durability. Stainless steel front, sides, back riser, plate shelf and 6" adjustable legs. Eight 9½" round French plates, 2 KW input per plate. Full width pull out stainless steel crumb tray located beneath the cooking top. Comes with one standard oversized oven. Oven interior measures 26½"w x 26⅜"d x 14"h. Comes with one oven rack and three rack positions. Oven door is heavy duty with an integrated door hinge / spring mechanism, requiring no adjustments. 5 KW input. Top browning heat control. Thermostat adjusts from 200°F to 500°F. Oven controls are protected from heat in an insulated side compartment. Requires 208, 240 or 480 volt, 1 or 3 phase power supply. All ranges are shipped in 3 phase and are field convertible to single phase.

**Exterior Dimensions:**

34"d x 48"w x 58"h on 6" adjustable legs

- EV48S-8FP208** 8 French Plates / Standard Oversized Oven / 208V
- EV48S-8FP240** 8 French Plates / Standard Oversized Oven / 240V
- EV48S-8FP480** 8 French Plates / Standard Oversized Oven / 480V

**STANDARD FEATURES**

- Fully MIG welded aluminized steel frame for added durability
- Stainless steel front, sides, back riser, shelf and legs
- Eight 9½" round, 2 KW French plates with infinite heat control switches. Four position heat switch on 480 volt.
- 5 KW oven with top browning control
- One standard oversized oven, interior measures 26½"w x 26⅜"d x 14"h.
- Full width pull out stainless steel crumb tray
- Thermostat adjusts from 200°F to 500°F
- Cool to the touch control knobs
- One oven rack and three rack positions
- 18" x 26" sheet pans fit side to side and front to back
- Requires 208, 240 or 480 volt, 1 or 3 phase power supply. (Ranges shipped in 3 phase and are field convertible to single phase)
- One year limited parts and labor warranty

**ACCESSORIES** (Packaged & Sold Separately)

- Extra oven rack with two rack guides
- Set of four casters (two locking)
- 10" stainless steel stub back
- ESB36 salamander broiler
- Reinforced high shelf for ESB36 salamander broiler
- Towel bar
- Cutting board
- Condiment rail
- Fryer shield

**VULCAN**

a division of ITW Food Equipment Group LLC

P.O. Box 696 ■ Louisville, KY 40201 ■ Toll-free: 1-800-814-2028 ■ Local: 502-778-2791 ■ Quote & Order Fax: 1-800-444-0602

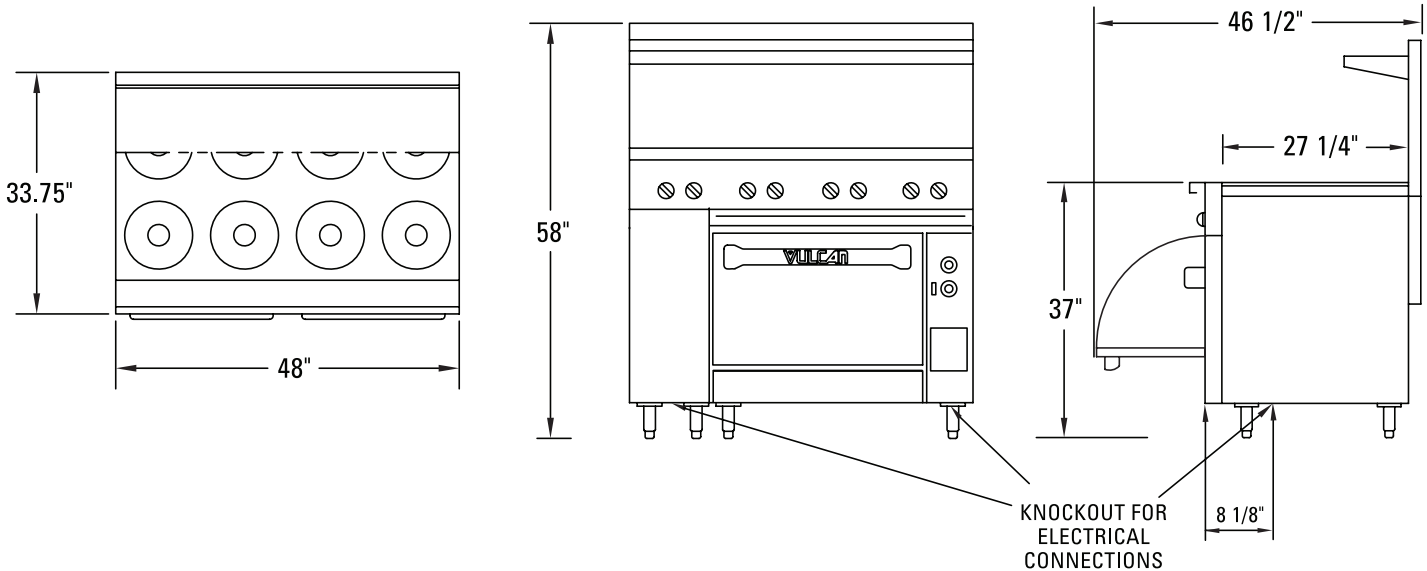


# 48" ELECTRIC RESTAURANT RANGE 8 FRENCH PLATES

## INSTALLATION INSTRUCTIONS

### Clearances from Combustible Construction

	Rear	Sides	Ranges with an ESB Salamander Broiler mounted above: Refer to the ESB Salamander Broiler spec sheet for clearance specifications.
Range with French Plates	0"	3"	
Range with Griddle Tops	0"	3"	
Range with Hot Tops	0"	6"	



The EV 48 ranges require two separate electrical hook-ups.

AVAILABLE VOLTAGES - 208 OR 240 VOLT - 1 OR 3 PHASE																								
3 PHASE LOADING						NOMINAL AMPS PER LINE WIRE																		
MODEL NUMBER	kW		kW PER PHASE						3 PHASE LT						3 PHASE RT						1 PHASE			
			LT 3 PH			RT 3 PH			208 VOLT			240 VOLT			208 VOLT			240 VOLT			LT		RT	
	LT	RT	X-Y	Y-Z	X-Z	X-Y	Y-Z	X-Z	X	Y	Z	X	Y	Z	X	Y	Z	X	Y	Z	208	240	208	240
EV48S-8FP208	4.0	17.0	2.0	2.0	0.0	4.0	8.0	5.0	8.3	16.7	8.3	--	--	--	37.5	50.0	54.1	--	--	--	20.3	--	81.7	--
EV48S-8FP240	4.0	17.0	2.0	2.0	0.0	4.0	8.0	5.0	--	--	--	7.3	14.5	7.3	--	--	--	32.5	43.3	46.9	--	16.7	--	70.8

**Note:** To calculate 480 volt amps, take 240 volt amp ratings shown and divide by two.

This appliance is manufactured for commercial use only and is not intended for home use.



a division of ITW Food Equipment Group LLC

P.O. Box 696 ■ Louisville, KY 40201 ■ Toll-free: 1-800-814-2028 ■ Local: 502-778-2791 ■ Quote & Order Fax: 1-800-444-0602

**NOTE:** In line with its policy to continually improve its products, Vulcan reserves the right to change materials and specifications without notice.