



CATALOG OF REPLACEMENT PARTS



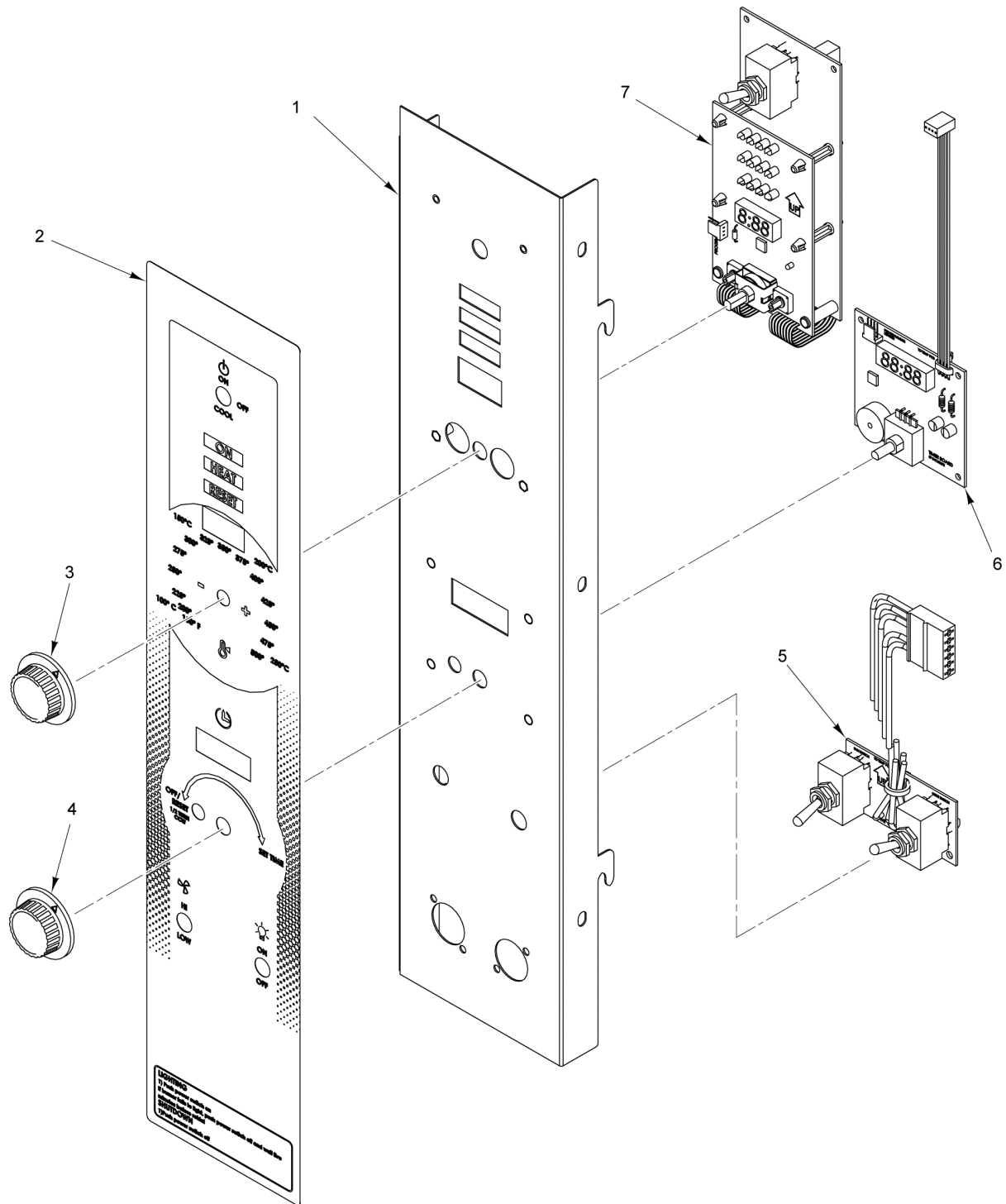
VC5GD CONVECTION OVEN

VC5GD-11D1

VC5GD-21D1

Table of Contents

5 CONTROL PANEL (BEFORE S/N 482010858)
7 CONTROL PANEL (STARTING S/N 482010858)
9 ELECTRICAL COMPONENT PANEL (BEFORE S/N 482010858)
11 ELECTRICAL COMPONENT PANEL (STARTING S/N 482010858)
13 DOOR ASSEMBLY (BEFORE S/N 482010858)
15 DOOR ASSEMBLY (STARTING S/N 482010858)
17 PANELS (BEFORE S/N 482010858)
19 PANELS (STARTING S/N 482010858)
21 CONVECTION MOTOR (BEFORE 3/19/18)
23 CONVECTION MOTOR (BEFORE S/N 482010858)
25 CONVECTION MOTOR (S/N 482010858 THRU S/N 482037436)
27 CONVECTION MOTOR (STARTING S/N 482037437)
29 GAS BURNER

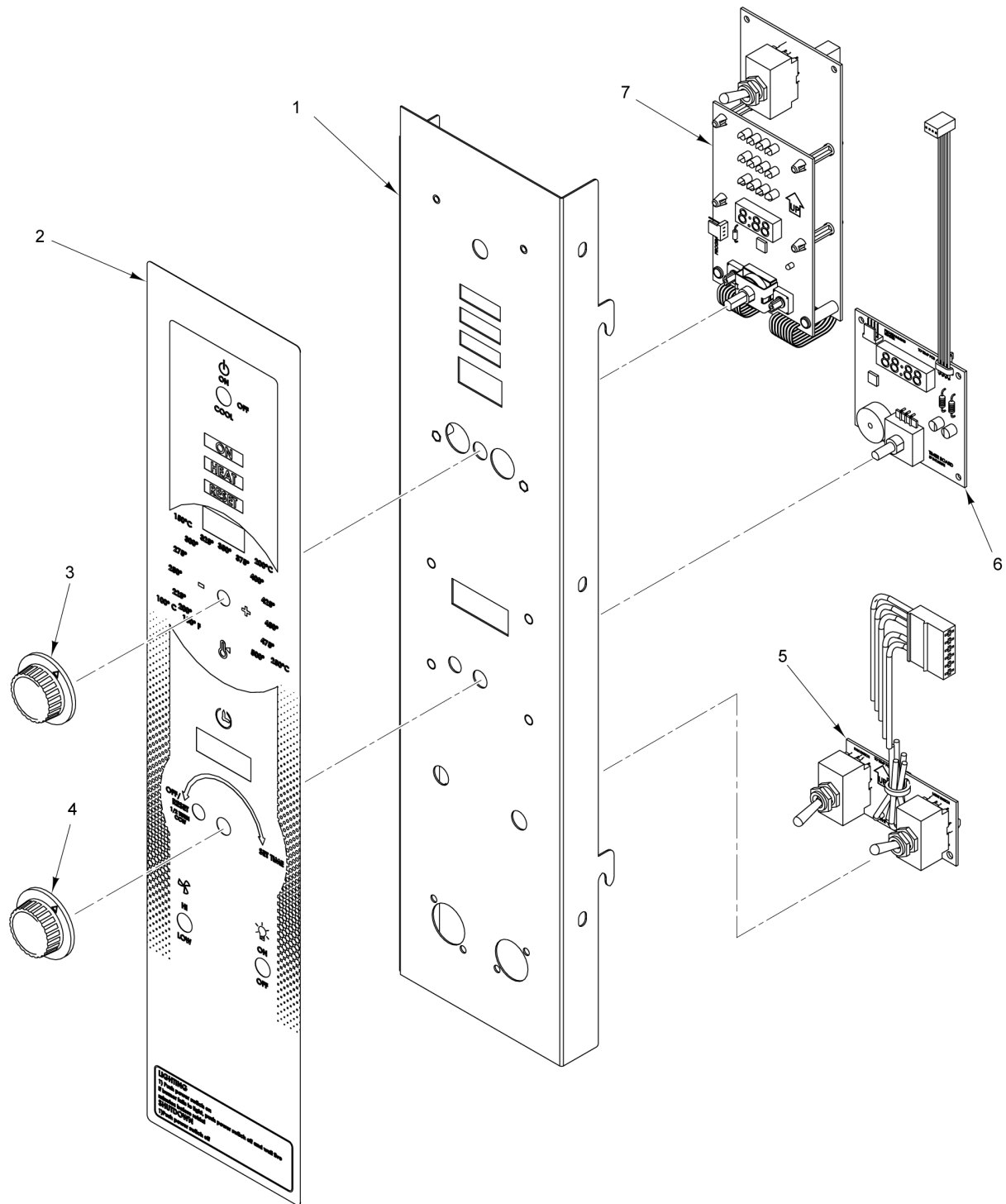


PL-60886

**CONTROL PANEL
(BEFORE S/N 482010858)**

**CONTROL PANEL
(BEFORE S/N 482010858)**

| ILLUS. | PART NO. | NAME OF PART | AMT. |
|-----------------|-----------------|--|-------------|
| PL-60886 | | | |
| 1 | 00-960318-000G1 | Panel..... | 1 |
| 2 | 00-960319-00001 | Overlay..... | 1 |
| 3 | 00-960329-00001 | Knob..... | 1 |
| 4 | 00-960329-00002 | Knob..... | 1 |
| 5 | 00-960302-00001 | Switch Board (Fan Speed & Light)..... | 1 |
| 6 | 00-960301-00001 | Timer Board..... | 1 |
| 7 | 00-960314-00001 | Control Board Assy. (Temperature & Main Power Switch)..... | 1 |
| 8 | 00-353589-00001 | Probe Temperature (SST) Solid State Not Shown..... | 1 |



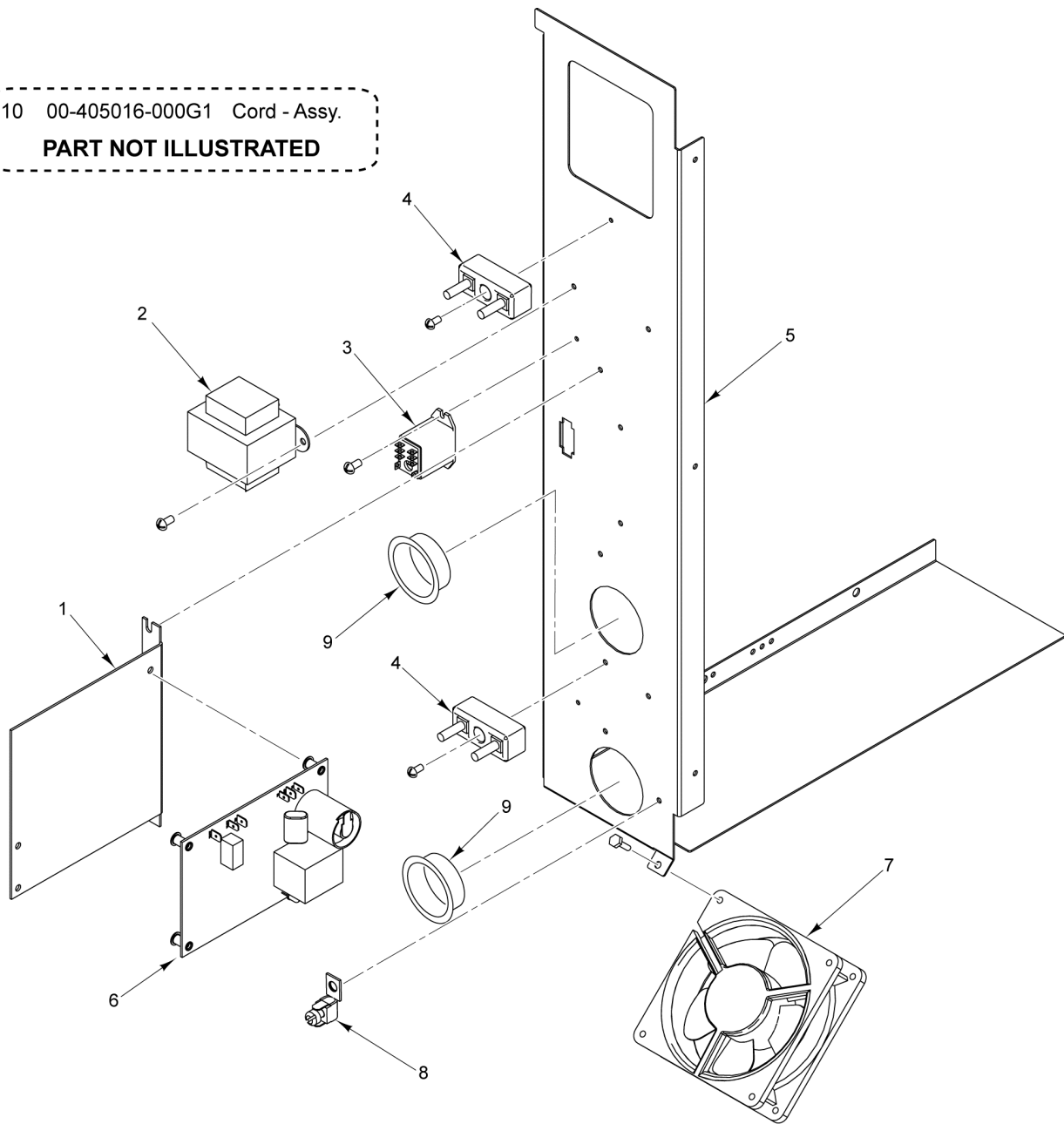
PL-61681

**CONTROL PANEL
(STARTING S/N 482010858)**

**CONTROL PANEL
(STARTING S/N 482010858)**

| ILLUS. | PART NO. | NAME OF PART | AMT. |
|----------|-----------------|--|------|
| PL-61681 | | | |
| 1 | 00-962231-000G1 | Panel - Control..... | 1 |
| 2 | 00-962338-00001 | Overlay..... | 1 |
| 3 | 00-960329-00001 | Knob..... | 1 |
| 4 | 00-960329-00002 | Knob..... | 1 |
| 5 | 00-960302-00001 | Switch Board (Fan Speed & Light)..... | 1 |
| 6 | 00-960301-00001 | Timer Board..... | 1 |
| 7 | 00-960314-00001 | Control Board Assy. (Temperature & Main Power Switch)..... | 1 |
| 8 | 00-353589-00001 | Probe Temperature (SST) Solid State Not Shown..... | AR |

10 00-405016-000G1 Cord - Assy.
PART NOT ILLUSTRATED

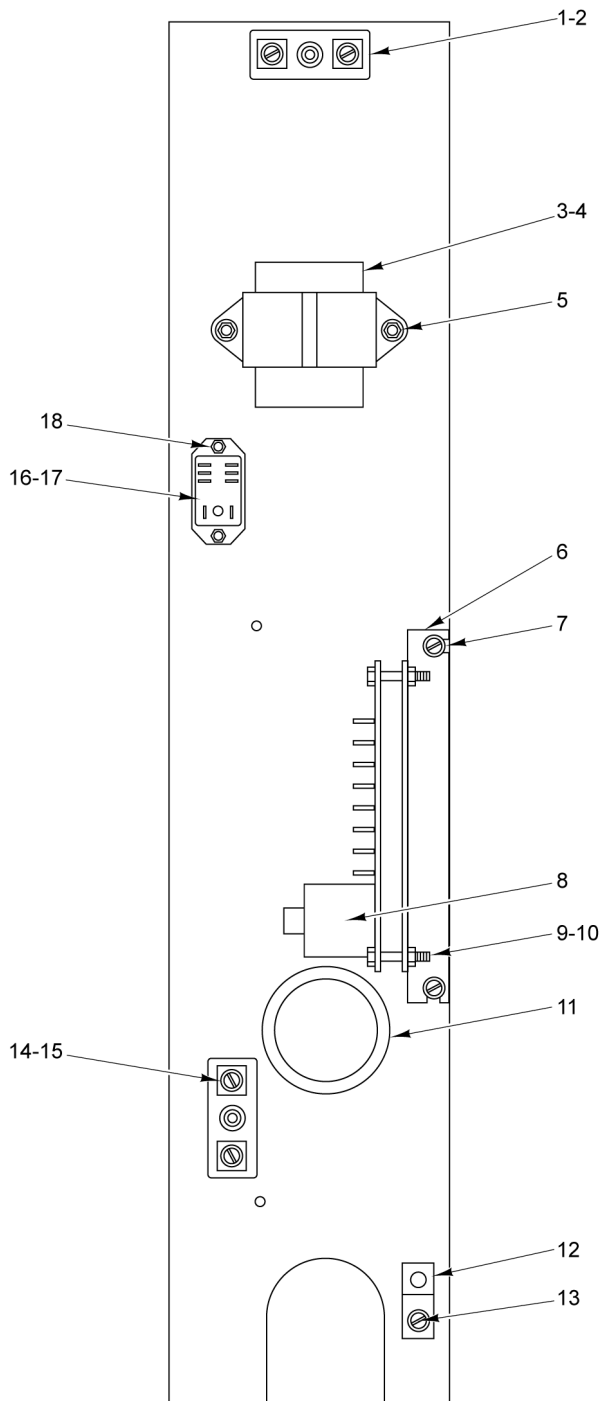


PL-60887

**ELECTRICAL COMPONENT PANEL
(BEFORE S/N 482010858)**

**ELECTRICAL COMPONENT PANEL
(BEFORE S/N 482010858)**

| ILLUS. PL-60887 | PART NO. | NAME OF PART | AMT. |
|--------------------|-----------------|---|------|
| 1 | 00-423760-00001 | Bracket - Ignition Module..... | 1 |
| 2 | 00-421758-000G1 | Transformer (120 V.) (24 V. Output)..... | 1 |
| 3 | 00-416535-00006 | Relay - Heating (120 V.)..... | 1 |
| 4 | 00-417934-000G1 | Block Assy. - Porcelain..... | 2 |
| 5 | 00-959693-00001 | Panel - Component..... | 1 |
| 6 | 00-913102-00292 | Control - Spark Ignition Kit Includes 18-22 connector 1/4" insulated..... | 1 |
| 7 | 00-424940-00001 | Fan - Cooling (120 V.)..... | 1 |
| 8 | 00-417856-00001 | Lug - Grounding (With Set Screw)..... | 1 |
| 9 | FE-024-23 | Bushing - Electrical (Snap)..... | 2 |
| 10 | 00-405016-000G1 | Cord Assy..... | 1 |

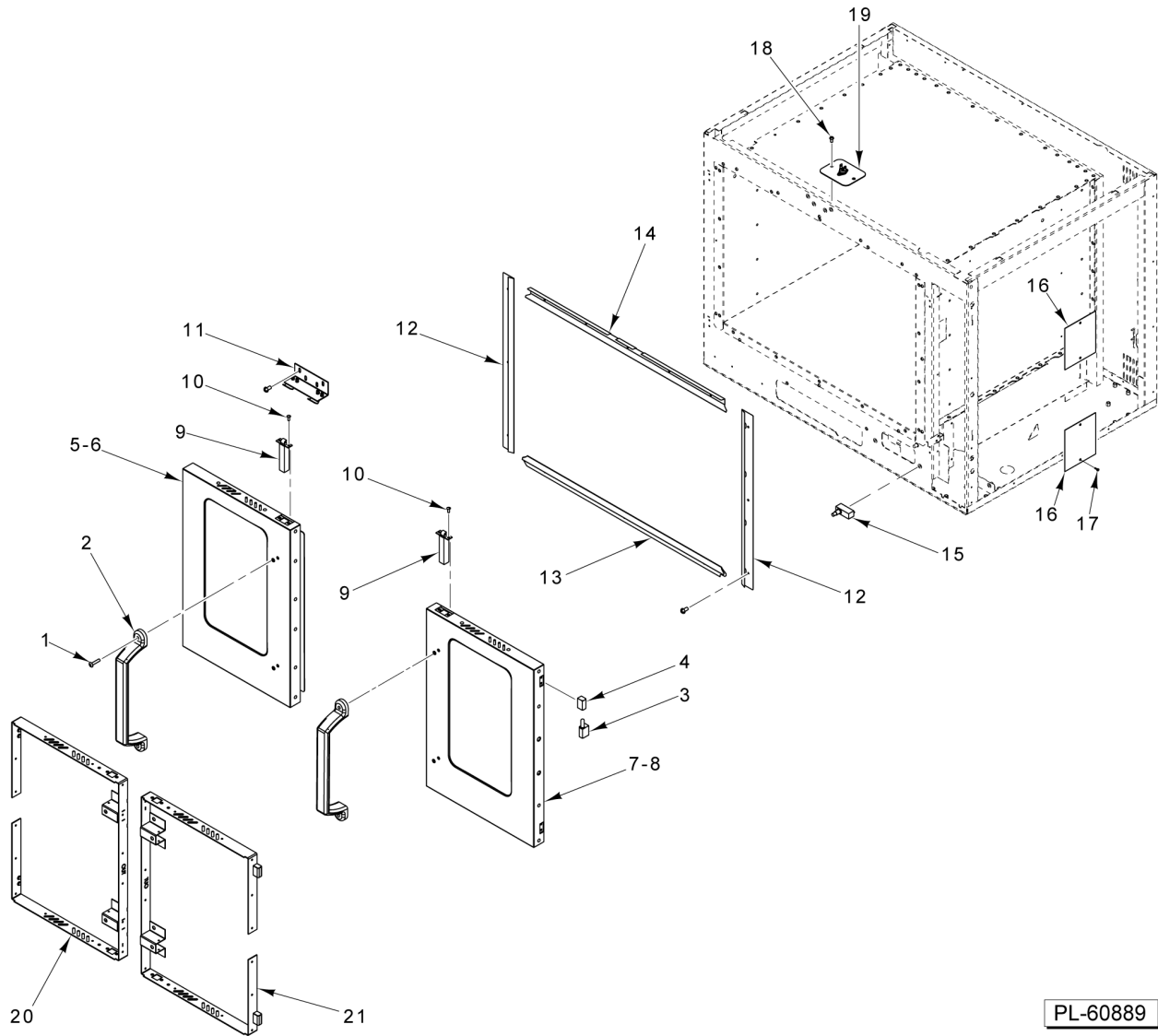


PL-61811

**ELECTRICAL COMPONENT PANEL
(STARTING S/N 482010858)**

**ELECTRICAL COMPONENT PANEL
(STARTING S/N 482010858)**

| ILLUS. PL-61811 | PART NO. | NAME OF PART | AMT. |
|--------------------|-----------------|---|------|
| 1 | 00-417934-000G1 | Block Assy. - Porcelain..... | 1 |
| 2 | SD-034-52 | Self-Tapping Screw 8-32 x 1 Slotted. Hex Washer Hd., Type T..... | 1 |
| 3 | 00-411500-00012 | Transformer (120 V.) (24 V. Output)..... | 1 |
| 4 | 00-411500-00013 | Transformer (208-240 V.) (24 V. Output)..... | 1 |
| 5 | SD-032-07 | Self-Tapping Screw 10-24 x 1/2 Hex. Hex Washer Hd., Type TT..... | 2 |
| 6 | 00-423760-00001 | Bracket - Ignition Module..... | 1 |
| 7 | SD-032-07 | Self-Tapping Screw 10-24 x 1/2 Hex. Hex Washer Hd., Type TT..... | 1 |
| 8 | 00-913102-00292 | Control - Spark Ignition Kit Includes 18-22 connector 1/4" insulated..... | 1 |
| 9 | SD-034-52 | Self-Tapping Screw 8-32 x 1 Slotted. Hex Washer Hd., Type T..... | 2 |
| 10 | NS-044-07 | Nut Assy. 8-32 Hex KEPS..... | 2 |
| 11 | FE-024-23 | Bushing - Electrical (Snap)..... | 1 |
| 12 | 00-417856-00001 | Lug - Grounding (With Set Screw)..... | 1 |
| 13 | SD-032-07 | Self-Tapping Screw 10-24 x 1/2 Hex. Hex Washer Hd., Type TT..... | 1 |
| 14 | 00-417934-000G1 | Block Assy. - Porcelain..... | 1 |
| 15 | SD-034-52 | Self-Tapping Screw 8-32 x 1 Slotted. Hex Washer Hd., Type T..... | 1 |
| 16 | 00-416535-00006 | Relay - Heating (120 V.)..... | 1 |
| 17 | 00-416535-00007 | Relay - Heating (200-240 V.)..... | 1 |
| 18 | SD-034-49 | Self-Tapping Screw 8-32 x 1/2 Slotted. Hex Washer Hd., Type T..... | 1 |

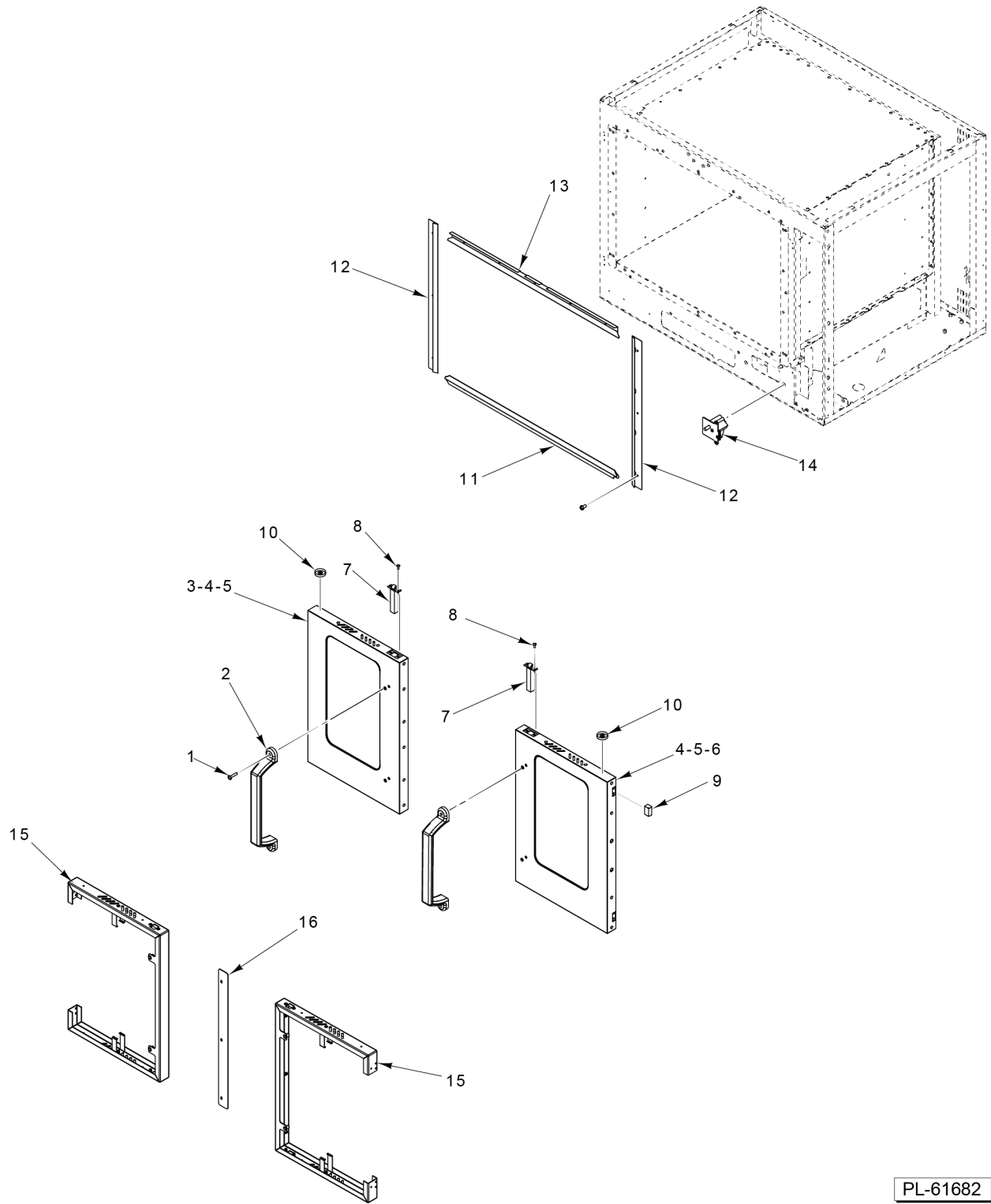


PL-60889

**DOOR ASSEMBLY
(BEFORE S/N 482010858)**

**DOOR ASSEMBLY
(BEFORE S/N 482010858)**

| ILLUS. PL-60889 | PART NO. | NAME OF PART | AMT. |
|--------------------|-----------------|--|------|
| 1 | 00-959087-00001 | Screw 1/4-20 x 1-1/4 Black Hd..... | 4 |
| 2 | 00-957108-00001 | Handle - Molded (Black)..... | 2 |
| 3 | 00-959783-00001 | Hinge - Male..... | 4 |
| 4 | 00-959784-00001 | Hinge - Female..... | 4 |
| 5 | 00-962188-000G1 | Panel - Door w/ Glass (Inner) (LH)..... | 1 |
| 6 | 00-962189-000G1 | Panel - Door w/ Glass (Outer) (LH)..... | 1 |
| 7 | 00-962190-000G1 | Panel - Door w/ Glass (Inner) (RH)..... | 1 |
| 8 | 00-962191-000G1 | Panel - Door w/ Glass (Outer) (RH)..... | 1 |
| 9 | 00-497586-00001 | Latch - Door Roller..... | 2 |
| 10 | SC-115-51 | Mach. Screw 10-32 x 1/2 Phil. Truss Hd..... | 4 |
| 11 | 00-960118-000G1 | Bracket - Door Catch (Does Not include Door Strike)..... | 1 |
| | 497585-1 | Door Strike..... | AR |
| 12 | 00-959771-00001 | Seal - Door (Side)..... | 2 |
| 13 | 00-959772-00001 | Seal - Door (Bottom)..... | 1 |
| 14 | 00-959770-00001 | Seal - Door (Top)..... | 1 |
| 15 | 00-960053-00001 | Switch - Door..... | 1 |
| 16 | 00-959769-00001 | Cover - Hinge Access..... | 2 |
| 17 | SD-032-07 | Self-Tapping Screw 10-24 x 1/2 Hex. Hex Washer Hd., Type TT..... | 4 |
| 18 | SD-039-78 | Self-Tapping Screw..... | 2 |
| 19 | 00-958827-000G1 | Thermostat (High Limit) (With Mounting Plate)..... | 1 |
| 20 | 00-962524-000G1 | Frame - Door W/ Hinge (LH)..... | 1 |
| 21 | 00-962524-000G2 | Frame - Door W/ Hinge (RH)..... | 1 |

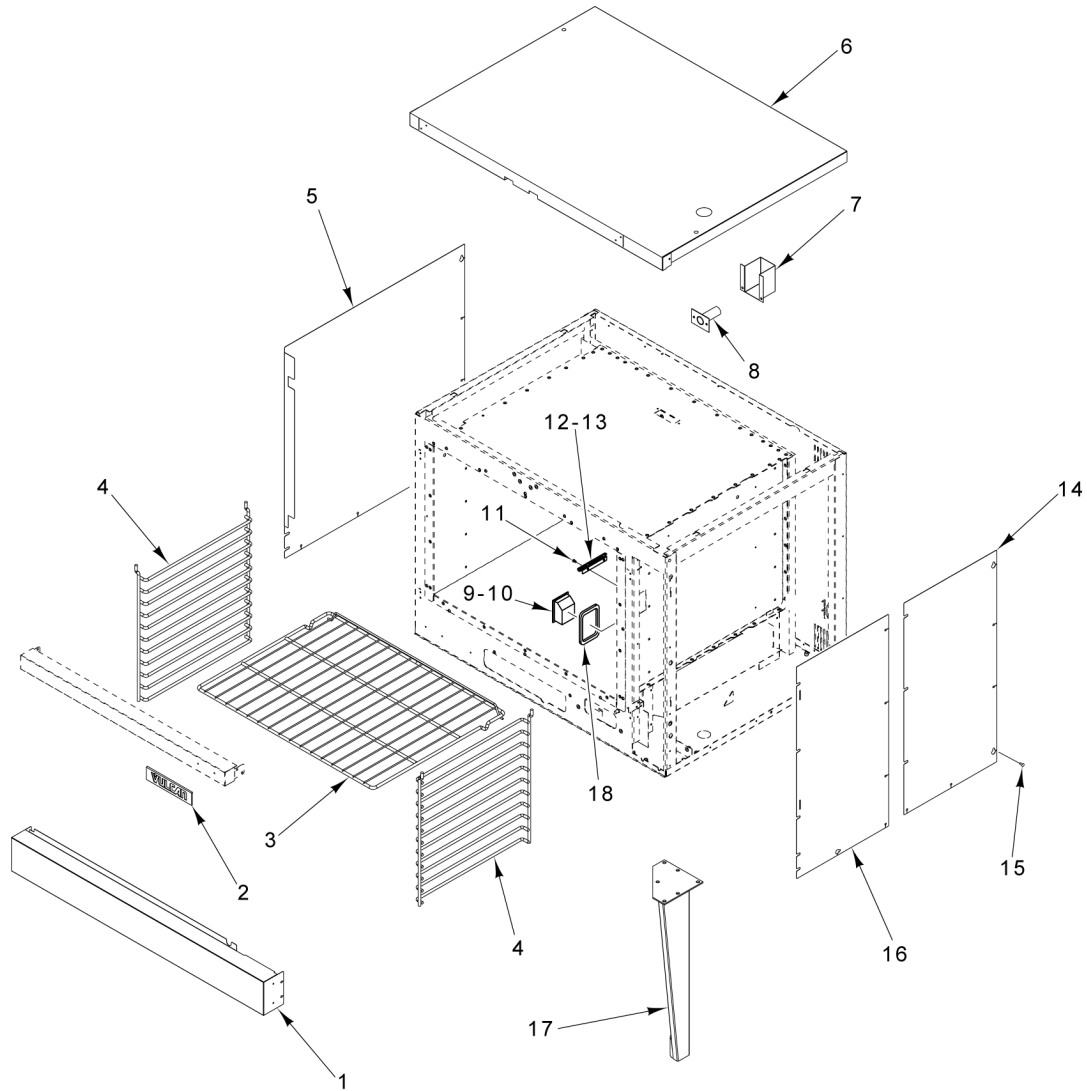


PL-61682

**DOOR ASSEMBLY
(STARTING S/N 482010858)**

**DOOR ASSEMBLY
(STARTING S/N 482010858)**

| ILLUS. PL-61682 | PART NO. | NAME OF PART | AMT. |
|--------------------|-----------------|---|------|
| 1 | 00-959087-00001 | Screw 1/4-20 x 1-1/4 Black Hd..... | 4 |
| 2 | 00-957108-00001 | Handle - Molded (Black)..... | 2 |
| 3 | 00-962063-000G1 | Door Assy. (LH) (Incls. Handle)..... | 1 |
| 4 | 00-962594-000G1 | Panel - Door w/Glass (Outer)..... | 2 |
| 5 | 00-962595-000G1 | Panel - Door w/Glass (Inner)..... | 2 |
| 6 | 00-962064-000G1 | Door Assy. (RH) (Incls. Handle)..... | 1 |
| 7 | 00-497586-00001 | Latch - Door Roller..... | 2 |
| 8 | SC-115-51 | Mach. Screw 10-32 x 1/2 Phil. Truss Hd..... | 4 |
| 9 | 00-962086-00001 | Hinge - Female..... | 4 |
| 10 | 00-962094-00001 | Block - Stop..... | 2 |
| 11 | 00-959772-00001 | Seal - Door (Bottom)..... | 1 |
| 12 | 00-959771-00001 | Seal - Door (Side)..... | 2 |
| 13 | 00-959770-00001 | Seal - Door (Top)..... | 1 |
| 14 | 00-962492-000G1 | Door Switch Assy..... | 1 |
| 15 | 00-962082-000G1 | Frame Assy..... | 2 |
| 16 | 00-357837-00001 | Seal - Door End..... | 1 |



| | | | | | |
|----|-----------------|-----------------|----|-----------------|----------------|
| 19 | 00-417063-00001 | Strap | 24 | 00-343634-00001 | Caster |
| 20 | 00-357047-00001 | Caster - Swivel | 25 | 00-343634-00002 | Caster |
| 21 | 00-357047-00002 | Caster - Swivel | 26 | 00-342150-00008 | Leg |
| 22 | 00-357093-00001 | Ring - Locking | 27 | 00-959663-00001 | Tube - Snorkel |
| 23 | 00-288946-00002 | Foot | | | |

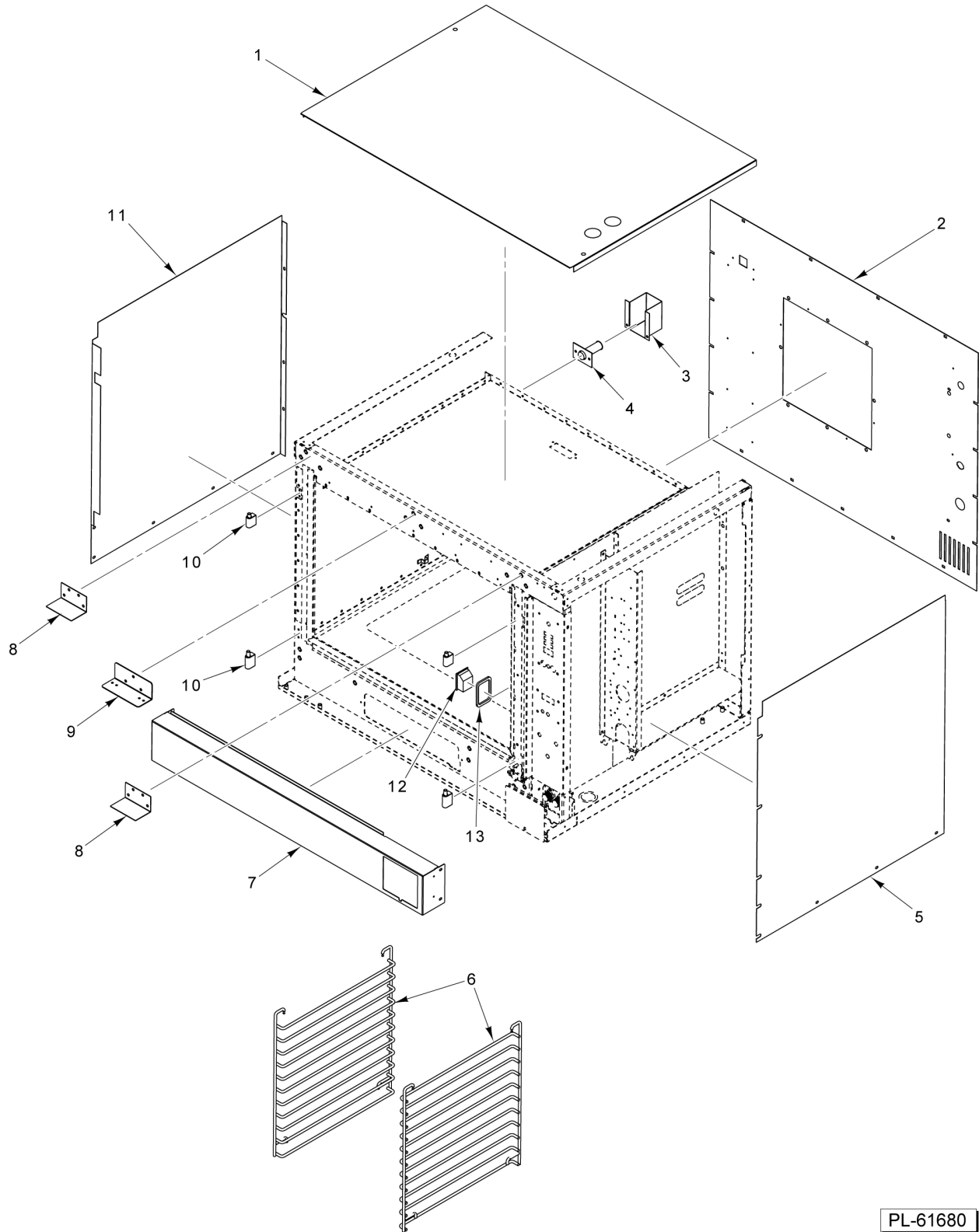
PARTS NOT ILLUSTRATED

PL-60890

**PANELS
(BEFORE S/N 482010858)**

**PANELS
(BEFORE S/N 482010858)**

| ILLUS. PL-60890 | PART NO. | NAME OF PART | AMT. |
|--------------------|-----------------|---|------|
| 1 | 00-959922-00001 | Trim - Cosmetic Bottom..... | 1 |
| 2 | 00-957916-00001 | Nameplate - Vulcan (7-1/4 In.)..... | 1 |
| 3 | 00-959523-00001 | Rack Assy..... | 5 |
| 4 | 00-959708-00001 | Rack Guide Assy..... | 2 |
| 5 | 00-959688-00001 | Panel - Cosmetic Left..... | 1 |
| 6 | 00-959689-00001 | Cosmetic Top..... | 1 |
| 7 | 00-427617-00001 | Flue - Deflector..... | 1 |
| 8 | 00-354431-00001 | Flue Assy..... | 1 |
| 9 | 00-960194-00001 | Oven Lamp (40W) (120 V.)..... | 1 |
| 10 | 00-961291-00001 | Bulb - Halogen (120V) (40W)..... | 1 |
| 11 | SD-039-78 | Self-Tapping Screw..... | 2 |
| 12 | 00-959753-00001 | Probe Guard & Retainer..... | 1 |
| 13 | 00-353589-00001 | Probe Temperature (SST) Solid State..... | 1 |
| 14 | 00-959793-00001 | Panel - Cosmetic Right..... | 1 |
| 15 | SD-008-27 | Self-Tapping Screw 10-16 x 1/2 Phil. Truss Hd., Type B..... | AR |
| 16 | 00-959794-00001 | Access Panel..... | 1 |
| 17 | 00-424157-000G7 | Leg Assembly for Caster and Foot (Painted Black)..... | 4 |
| 18 | 00-962843-000G1 | Kit - Oven Light Gaskets..... | 2 |
| 19 | 00-417063-00001 | Strap - Tie Down..... | AR |
| 20 | 00-357047-00001 | Caster - Swivel (Without Brake)..... | AR |
| 21 | 00-357047-00002 | Caster - Swivel (With Brake)..... | AR |
| 22 | 00-357093-00001 | Ring - Locking..... | AR |
| 23 | 00-288946-00002 | Foot - Adjustable (1-5/8) (SST)..... | AR |
| 24 | 00-343634-00001 | Caster (Swivel With Brake) (7.5 In.)..... | AR |
| 25 | 00-343634-00002 | Caster (Rigid) (7.5 In.)..... | AR |
| 26 | 00-342150-00008 | Leg (8 In.)..... | AR |
| 27 | 00-959663-00001 | Tube - Snorkel..... | 1 |

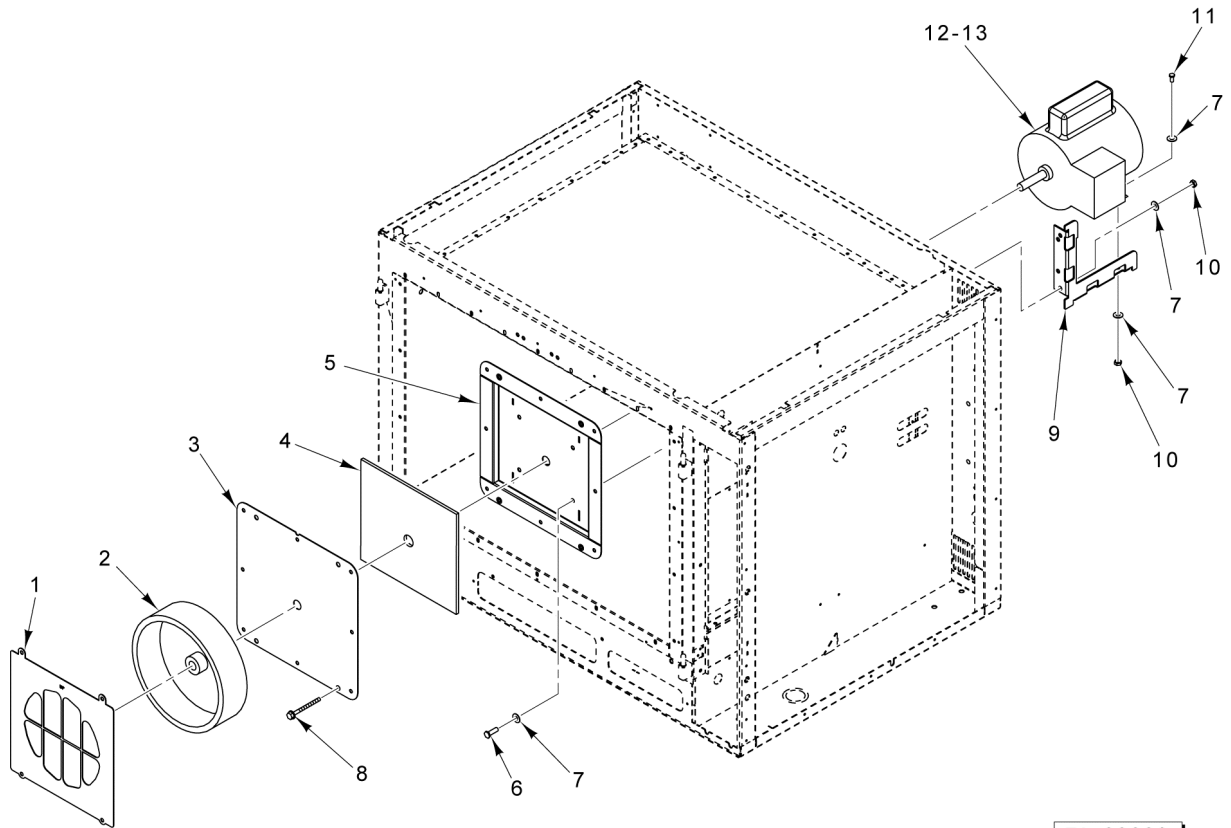


PL-61680

**PANELS
(STARTING S/N 482010858)**

PANELS
(STARTING S/N 482010858)

| ILLUS. PL-61680 | PART NO. | NAME OF PART | AMT. |
|--------------------|-----------------|--|------|
| 1 | 00-424141-00002 | Top (SST)..... | 1 |
| 2 | 00-424153 | Panel - Back Assy..... | 1 |
| 3 | 00-427617-00001 | Flue - Deflector..... | 1 |
| 4 | 00-354431-00001 | Flue Assy..... | 1 |
| 5 | 00-424140-00002 | Panel - Outer (RH) (SST)..... | 1 |
| 6 | 00-428104-00001 | Guide - Rack (LH)..... | 2 |
| 7 | 00-962076-00001 | Trim - Bottom..... | 1 |
| 8 | 00-962167-00001 | Trim - Top..... | 2 |
| 9 | 00-961658-00001 | Support - Door Catch..... | 1 |
| 10 | 00-962809-000G1 | Kit - Male Hinge (Incls. Upper and Lower W/ Screws)..... | 1 |
| 11 | 00-962084-00001 | Panel - Outer (LH)..... | 1 |
| 12 | 00-960194-00001 | Oven Lamp (40W) (120 V.)..... | 1 |
| 13 | 00-962843-000G1 | Kit - Oven Light Gaskets..... | 1 |

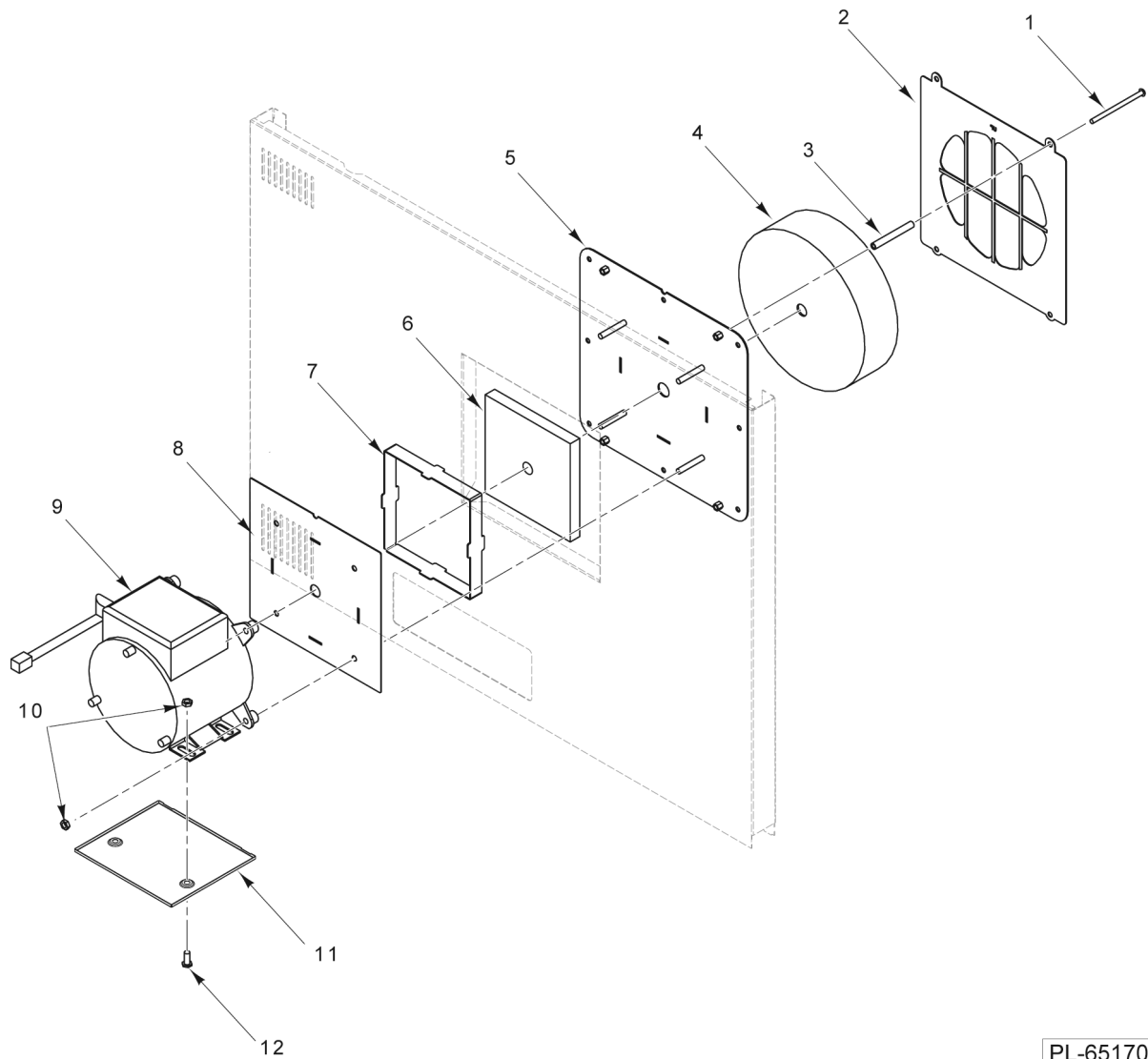


PL-60888

**CONVECTION MOTOR
(BEFORE 3/19/18)**

**CONVECTION MOTOR
(BEFORE 3/19/18)**

| ILLUS. PL-60888 | PART NO. | NAME OF PART | AMT. |
|--------------------|-----------------|---|------|
| 1 | 00-960425-00001 | Cover - Fan..... | 1 |
| 2 | 00-415780-00003 | Wheel - Blower (60 Hz.)..... | 1 |
| 3 | 00-959698-00001 | Cover - Motor..... | 1 |
| 4 | 00-959955-00001 | Insulation..... | 1 |
| 5 | 00-959695-00001 | Mount - Motor..... | 1 |
| 6 | SC-113-65 | Cap Screw 5/16-18 x 1-1/4 Hex Hd..... | 4 |
| 7 | WS-029-46 | Washer..... | 16 |
| 8 | SC-132-01 | Screw..... | 8 |
| 9 | 00-959803-00001 | Bracket - Motor Mount..... | 2 |
| 10 | NS-046-86 | Nut Assy. 5/16-18 KEPS Hex..... | 8 |
| 11 | SC-113-78 | Cap Screw 1/4-20 x 3/4 Hex Hd..... | 4 |
| 12 | 00-358516-00001 | Motor 1/2 Hp. (2-Speed) (115 V., 50/60 Hz., 1 Ph.)..... | 1 |
| 13 | 00-342285-00001 | Bushing - Plastic..... | 1 |

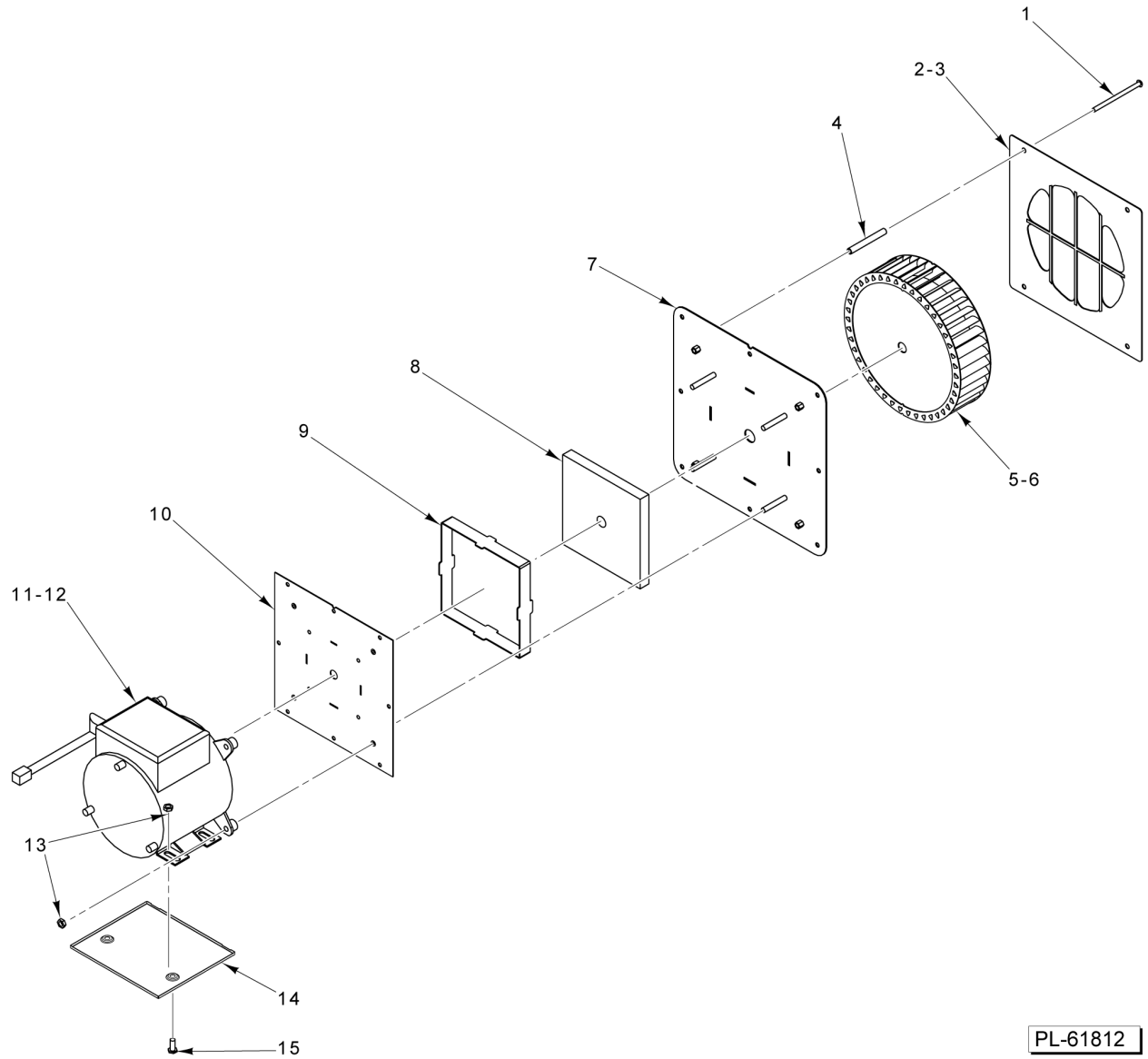


PL-65170

**CONVECTION MOTOR
(BEFORE S/N 482010858)**

**CONVECTION MOTOR
(BEFORE S/N 482010858)**

| ILLUS. PL-65170 | PART NO. | NAME OF PART | AMT. |
|--------------------|-----------------|--|------|
| 1 | SC-120-15 | Mach. Screw 1/4-20 x 4 Rd. Hd..... | 4 |
| 2 | 00-960425-00001 | Cover - Fan..... | 1 |
| 3 | 00-411289-00004 | Spacer - Fan Housing..... | 4 |
| 4 | 00-415780-00003 | Wheel - Blower..... | 1 |
| 5 | 00-960962-000G1 | Mount - Motor, Front..... | 1 |
| 6 | 00-342159-00033 | Insulation (28 x 33 x 1 In.)..... | AR |
| 7 | 00-960963-00001 | Mount - Motor, Wrapper..... | 1 |
| 8 | 00-960964-00001 | Mount - Motor, Rear..... | 1 |
| 9 | 00-961739-000G1 | Motor Harness Included with Motor..... | 1 |
| | 00-962168-000G1 | Motor Harness..... | AR |
| 10 | NS-046-86 | Nut Assy. 5/16-18 KEPS Hex..... | 6 |
| 11 | 00-961831-00001 | Pan - Drip, Motor..... | 1 |
| 12 | SC-037-75 | Cap Screw 5/16-18 x 3/4 Hex Hd..... | 2 |

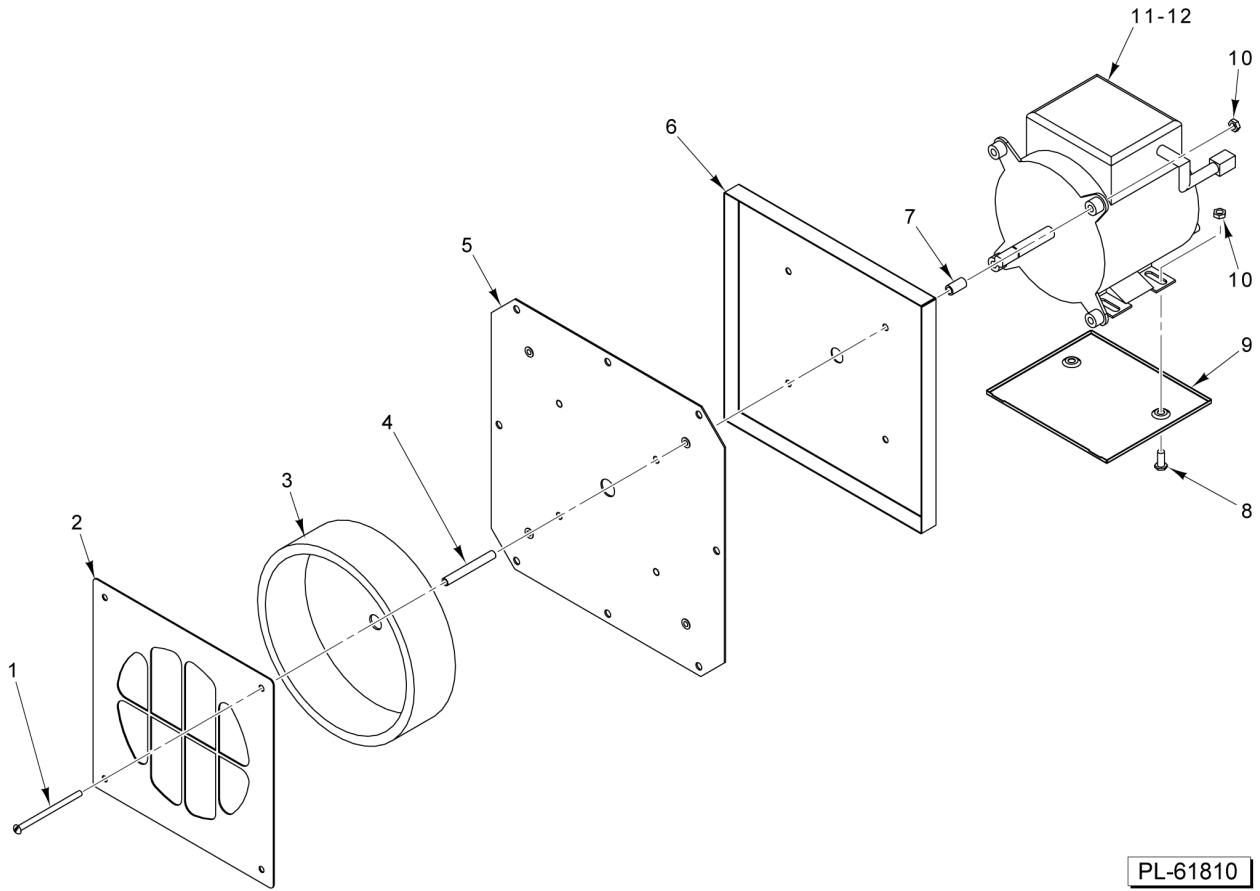


PL-61812

**CONVECTION MOTOR
(S/N 482010858 THRU S/N 482037436)**

**CONVECTION MOTOR
(S/N 482010858 THRU S/N 482037436)**

| ILLUS. PL-61812 | PART NO. | NAME OF PART | AMT. |
|--------------------|-----------------|---|------|
| 1 | SC-120-15 | Mach. Screw 1/4-20 x 4 Rd. Hd..... | 4 |
| 2 | 00-411136-00003 | Cover - Fan (50 Hz.)..... | 1 |
| 3 | 00-411136-00004 | Cover - Fan (60 Hz.)..... | 1 |
| 4 | 00-411289-00004 | Spacer - Fan Housing..... | 4 |
| 5 | 00-415780-00005 | Wheel - Blower (50 Hz.)..... | 1 |
| 6 | 00-415780-00003 | Wheel - Blower (60 Hz.)..... | 1 |
| 7 | 00-961671-000G1 | Mount - Motor (Front)..... | 1 |
| 8 | 00-342159-00033 | Insulation (28 x 33 x 1 In.)..... | AR |
| 9 | 00-960963-00001 | Mount - Motor, Wrapper..... | 1 |
| 10 | 00-961668-00001 | Mount - Motor (Rear)..... | 1 |
| 11 | 00-961739-000G1 | Motor, 120 VAC, 0.5 HP Motor Harness Included with Motor..... | 1 |
| | 00-962168-000G1 | Motor Harness..... | AR |
| 12 | 00-961739-000G2 | Motor, 208-240 VAC, 0.5 HP Motor Harness Included with Motor..... | 1 |
| | 00-962168-000G1 | Motor Harness..... | AR |
| 13 | NS-046-86 | Nut Assy. 5/16-18 KEPS Hex..... | 6 |
| 14 | 00-961831-00001 | Pan - Drip, Motor..... | 1 |
| 15 | SC-037-75 | Cap Screw 5/16-18 x 3/4 Hex Hd..... | 2 |



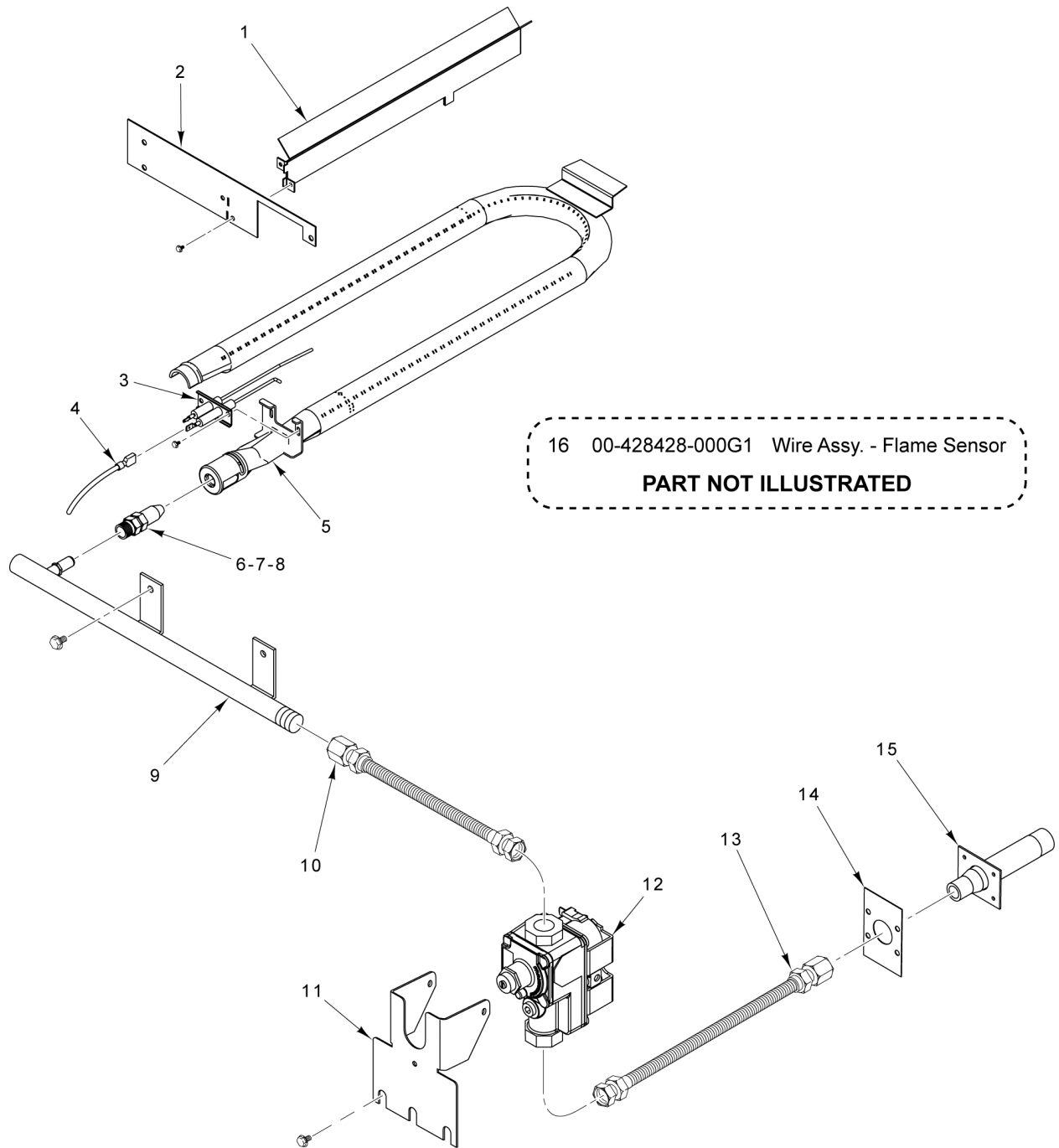
PL-61810

**CONVECTION MOTOR
(STARTING S/N 482037437)**

**CONVECTION MOTOR
(STARTING S/N 482037437)**

| ILLUS. PL-61810 | PART NO. | NAME OF PART | AMT. |
|--------------------|-----------------|---|------|
| 1 | SC-120-15 | Mach. Screw 1/4-20 x 4 Rd. Hd..... | 4 |
| 2 | 00-411136-00004 | Cover - Fan (60 Hz.)..... | 1 |
| 3 | 00-415780-00003 | Wheel - Blower (60 Hz.)..... | 1 |
| 4 | 00-411289-00001 | Spacer - Fan Housing (1/8 Pipe x 27/8)..... | 4 |
| *5 | 00-962792-000G1 | Motor Mount Assy..... | 1 |
| 6 | 00-962791-00001 | Plate - Motor Mount..... | 1 |
| 7 | 00-962793 | Spacer - Motor..... | 4 |
| 8 | SC-037-75 | Cap Screw 5/16-18 x 3/4 Hex Hd..... | 2 |
| 9 | 00-961831-00001 | Pan - Drip, Motor..... | 1 |
| 10 | NS-046-86 | Nut Assy. 5/16-18 KEPS Hex..... | 6 |
| 11 | 00-961737-000G1 | Motor Assy. (120 V.) (60 Hz.)..... | 1 |
| 12 | 00-961737-000G2 | Motor Assy. (240 V.) (60 Hz.)..... | 1 |

* Before S/N 482046975 will need to order 00-962820-000G1 Motor Mount Kit



PL-60891

GAS BURNER

GAS BURNER

| ILLUS. | PART NO. | NAME OF PART | AMT. |
|----------|-----------------|--|------|
| PL-60891 | | | |
| 1 | 00-960978-00001 | Combustion Divider..... | 1 |
| 2 | 00-959703-00001 | Combustion Cover..... | 1 |
| 3 | 00-959507-00001 | Igniter - Burner..... | 1 |
| 4 | 00-423813-00003 | Wire - Ignition (High Voltage)..... | 1 |
| 5 | 00-960213-000G1 | Main Burner Assy..... | 1 |
| 6 | 00-010901-00031 | Orifice - Spud (31 Drill) (NAT)..... | 1 |
| 7 | 00-010901-00046 | Orifice - Spud (46 Drill) (LP)..... | 1 |
| 8 | 00-417879-00001 | Nozzle - Burner..... | 1 |
| 9 | 00-424138-00001 | Manifold..... | 1 |
| 10 | 00-423828-00007 | Tube - Flex (18 In.)..... | 1 |
| 11 | 00-959486-00001 | Bracket - Gas Valve..... | 1 |
| 12 | 00-959662-00001 | Valve - Combination Gas, Convertable (NAT & LP)..... | 1 |
| 13 | 00-423828-00006 | Tube - Flex (30 In.)..... | 1 |
| 14 | 00-960312-00001 | Gas Inlet Escutcheon..... | 1 |
| 15 | 00-423819-00003 | Pipe - Weldment Gas Inlet..... | 1 |
| 16 | 00-428428-000G1 | Wire Assy. - Flame Sensor..... | 1 |

